



*Lamborghini*  
CALORECLIMA



## Lamborghini Caloreclima nowadays

Lamborghini Caloreclima has been successfully working in the HEATING, AIR-CONDITIONING and WATER TREATMENT sectors since 1960. Based in Dosso (FE) since 1970, Lamborghini Caloreclima's premises cover an overall area of 52,000 square metres, 25,000 of which being roof covered.

The production, operated according to advanced logistical mechanization systems, is managed in compliance with ISO 9001 quality standards. High flexibility of the production cycles is allowed, thus guaranteeing fast industrialization of the products designed.

## Lamborghini in Italy and abroad

Lamborghini branches, representatives, agencies and distributors are present in over 35 foreign countries. It is the Italian tradition that the reference role of the company is the installer.

A network of agents, assistance centres and Lamborghini Topclima being widespread everywhere, assure careful control of the whole national territory, providing the users with proper sales and after-sales assistance.

## Quality certification

Lamborghini Caloreclima has been one of the first Italian companies obtaining prestigious ISO 9001 certification, which is acknowledged to sole companies operating according to full quality principles. Furthermore, EC standard approval for the products concerned has been obtained.



# Proposte Lamborghini: Continual innovation

Lamborghini Caloreclima Company steadily engages itself in the search for technical solutions aimed at introducing innovations into its products. Lamborghini supplies a brand-new range of products capable of meeting the market's needs, these becoming more and more demanding. Here is the philosophy adopted by "Proposte Lamborghini 2004". You will find below the most attractive news of this edition. Enjoy your choice!

## Quality above all

Lamborghini is renowned all over the world for the high quality featuring its products, which are type approved in most countries.



# Innovations



# Index

## Steel boilers

**Condensing stainless steel boilers**

**Steel boilers**

---

## Cast iron boilers

---

## Air heaters

**Gas “Wall-hung” air heaters**

**“Industrial” air heaters**

**Box zone**

---

## Condensing gas wall hung boilers, modulars thermic system

**Condensing gas wall hung boiler**

**Gas condensing modulars thermic system**

**Gas wall hung boiler**

---

## Standing gas boilers, gas water heaters

**Standing gas boilers**

**Instantaneous water heaters**

**Storage water heaters**

**Box zone**

---

## Hot water storages, regulation temperature system, radiators

**Hot water storages tank**

**temperature regulation systems**

**Alluminium radiators**

## **Water treatment system**

**Water softeners**

**Filters**

**Dosagers pump**

**Polifosphate dosagers**

---

## **Accessories**

---



# Condensation gas steel boilers



## ¥ SILVER S - SILVER BS

- Ultra high-efficiency stainless steel condensation proof boiler for heating (SILVER S) and hot sanitary water heating and supply (SILVER BS).
- Ideal for low-temperature system operation.
- Boiler shell in stainless steel AISI 316 Ti.
- Flame injection wet bottom cylindrical furnace
- Flues made up of plates being printed on the inner surface whose special corrugated shape increases turbulence thus allowing condensation.
- Low NOx emissions in the environment.
- Operation through gas blown burners.
- 120 Lt. enamelled steel boiler, covered with polyurethane (SILVER BS).
- Heat loss preventing high-thickness insulation.
- Instruments for unit control and adjustment.
- 14 Lt. Heating circuit expansion tank (SILVER BS).
- Circulators on the sanitary (SILVER BS) and on the heating circuit.
- IP 40 Protection degree.

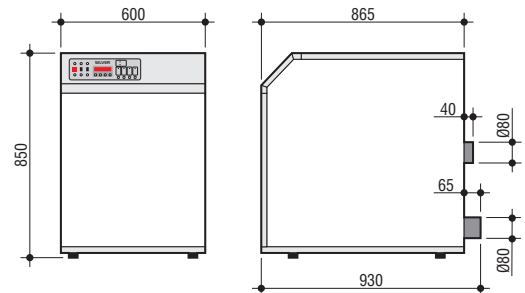


### ¥ Maintenance

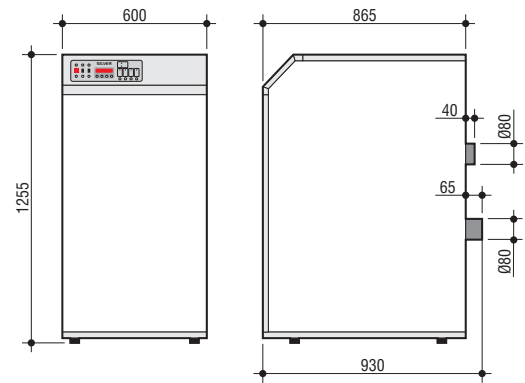
- Maintenance is made simple thanks to easy accessibility to internal components.

### ¥ Certification

- SILVER boilers are EC type approved.



SILVER 31 S



SILVER 31 BS

Connections: see template on page 112.



Combustion path  
Along the flue gas plates



Detail of the STAINLESS STEEL  
AISI 316 Ti flue gas plates

Boiler type	Furnace power		Useful efficiency		Maximum pressure		Power voltage V/Hz	Hot sanitary water supply l/min.	Weight Kg
	kW	kcal/h	a 50/30°C min./max. %	a 80/60°C min./max. %	risc. bar	sanit.			
<b>SILVER 31 S</b>	14÷ 30,8	12.100÷ 26.500	108,5/107	97,8/97	3	-	230/50	-	158
<b>SILVER 31 BS</b>	14÷ 30,8	12.100÷ 26.500	108,5/107	97,8/97	3	6	230/50	12,5	205

Boiler code	Burner type	Boiler type	Useful power 50/30°C		Useful power 80/60°C	
			kW	kcal/h	kW	kcal/h
00705170	FIME 5 S-E	<b>SILVER 31 S</b>	15,2÷ 33	13.100÷ 28.400	13,7÷ 29,9	11.800÷ 25.700
00705190	FIME 5 S-E	<b>SILVER 31 BS</b>	15,2÷ 33	13.100÷ 28.400	13,7÷ 29,9	11.800÷ 25.700



## ¥ SILVER

- Ultra high-efficiency boiler.
- Boiler shell in stainless steel AISI 316 Ti.
- Flame injection wet bottom cylindrical furnace
- Flues made up of plates being printed on the inner surface whose special corrugated shape increases turbulence thus allowing condensation.
- Ideal for low-temperature system operation.
- Low NOx emissions in the environment.
- Operation through gas blown burners.
- Heat loss preventing high-thickness insulation.
- External instrument panel for unit control and adjustment.



### ¥ Maintenance

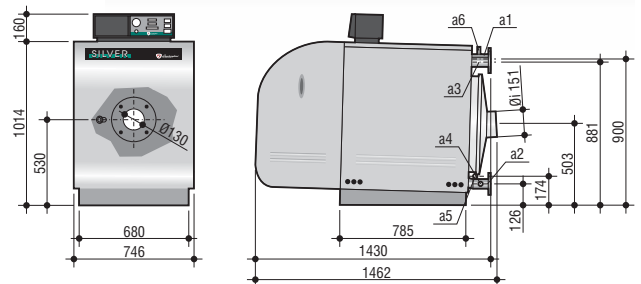
- Maintenance is made simple thanks to easy accessibility to internal components.

### ¥ Certification

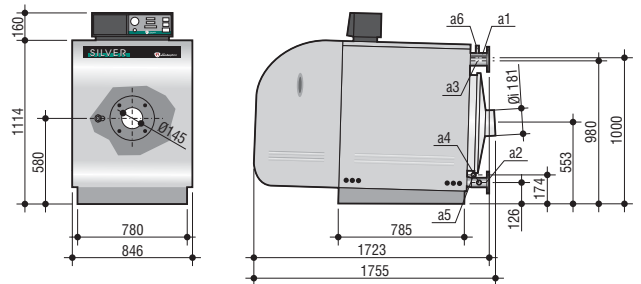
- SILVER boilers are EC type approved.

### ¥ Hydraulic connections

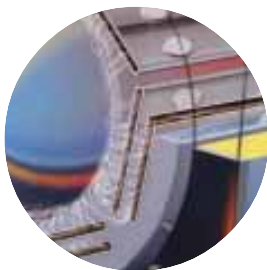
- a1** System delivery DN 50 (mod. 44÷ 80) and DN 65 (mod. 110÷ 150)
- a2** Medium temperature system return DN 50 (mod. 44÷ 80) and DN 65 (mod. 110÷ 150)
- a3** Low temperature system return DN 50 (mod. 44÷ 80) and DN 65 (mod. 110÷ 150)
- a4** System feeding/discharge inlet Ø \_ ”
- a5** Condensation discharge Ø \_ ”
- a6** Temperature control pocket



SILVER 44 ÷ SILVER 80



SILVER 110 - SILVER 150



Combustion path along the flue gas plates



Detail of the STAINLESS STEEL AISI 316 Ti flue gas plates

Boiler type	Furnace power		Useful efficiency		Maximum heating pressure	Power voltage	Weight
	kW	kcal/h	a 50/30°C min./max. %	a 80/60°C min./max. %			
<b>SILVER 44</b>	22,5÷ 45,3	19.300÷ 39.000	108,5/107	97,8/97	5	230/50	182
<b>SILVER 60</b>	30,7÷ 61,8	26.400÷ 53.100	108,5/107	97,8/97	5	230/50	184
<b>SILVER 80</b>	40,9÷ 78	35.200÷ 67.080	108,5/107	97,8/97	5	230/50	184
<b>SILVER 110</b>	56,2÷ 114	48.400÷ 98.000	108,5/106	97,8/96,5	5	230/50	223
<b>SILVER 150</b>	76,7÷ 155,4	66.000÷ 133.700	108,5/105	97,8/96,5	5	230/50	230

Boiler code	Burner type	Boiler type	Useful power 50/30°C		Useful power 80/60°C	
			kW	kcal/h	kW	kcal/h
00705210	EM 6-E.D1	<b>SILVER 44</b>	24,4÷ 48,5	21.000÷ 41.700	22÷ 44	18.900÷ 37.800
00705220	EM 9/2-E.D3	<b>SILVER 60</b>	33,3÷ 66,2	28.600÷ 56.900	30÷ 60	25.800÷ 51.600
00705230	EM 9/2-E.D3	<b>SILVER 80</b>	44,4÷ 83,5	38.200÷ 71.810	40÷ 75,6	34.400÷ 65.016
00705240	EM 16/2-E.D4	<b>SILVER 110</b>	61÷ 120,8	52.500÷ 103.900	55÷ 110	47.300÷ 94.600
00705251	EM 18/2-E.D6	<b>SILVER 150</b>	83,2÷ 163,3	71.600÷ 140.400	75÷ 150	64.500÷ 129.000



## ¥ SILVER boilers Superposed

- Ultra high-efficiency boiler.
- 2 boiler shells in stainless steel AISI 316 Ti.
- Flame injection wet bottom cylindrical furnaces.
- Flues made up of plates being printed on the inner surface whose special corrugated shape increases turbulence thus allowing condensation.
- Ideal for low-temperature system operation.
- Low NOx emissions in the environment.
- Operation through gas blown burners.
- Heat loss preventing high-thickness insulation.
- External instrument panel for unit control and adjustment.
- The boiler is fitted with hydraulic manifolds for connecting the 2 boiler shells.



### ¥ Maintenance

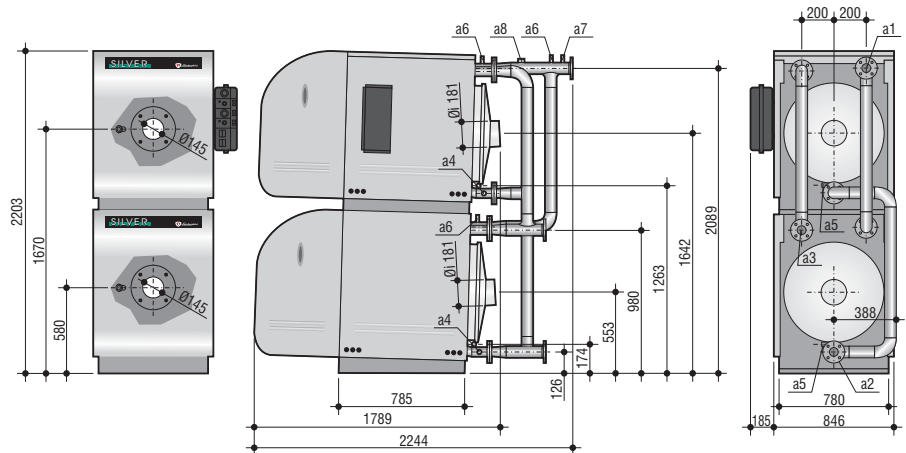
- Maintenance is made simple thanks to easy accessibility to internal components.

### ¥ Certification

- SILVER boilers are EC type approved.

### ¥ Hydraulic connections

- a1 System delivery DN 65
- a2 Medium temperature system return DN 65
- a3 Low temperature system return DN 65
- a4 System feeding/discharge inlet "
- a5 Condensation discharge Ø "
- a6 Temperature control pocket
- a7 Bulb holding pocket Ø "
- a8 Instrument coupling Ø 1"



Boiler type	Furnace power		Useful efficiency		Maximum heating pressure	Power voltage	Weight
	kW	kcal/h	a 50/30°C min./max. %	a 80/60°C min./max. %			
<b>SILVER 200</b>	102,2÷ 207,3	87.900÷ 178.300	108,5/106	97,8/96,5	5	230/50	471
<b>SILVER 250</b>	127,8÷ 259	109.900÷ 222.800	108,5/106	97,8/96,5	5	230/50	471
<b>SILVER 300</b>	153,4÷ 310,9	131.900÷ 267.300	108,5/105	97,8/96,5	5	230/50	485

Boiler code	2 burners type	Boiler type	Useful power 50/30°C		Useful power 80/60°C	
			kW	kcal/h	kW	kcal/h
00705260	EM 16/2-E.D4	<b>SILVER 200</b>	110,9÷ 219,8	95.400÷ 189.000	100÷ 200	86.000÷ 172.000
00705271	EM 18/2-E.D6	<b>SILVER 250</b>	138,7÷ 274,5	119.300÷ 236.100	125÷ 250	107.500÷ 215.000
00705281	EM 18/2-E.D6	<b>SILVER 300</b>	166,4÷ 326,4	143.100÷ 280.700	150÷ 300	129.000÷ 258.000



## NEINOX BT/G

### Ultra high-efficiency and polluting emissions lowered to the minimum

- Ideal boilers for small-size buildings heating.
- Low variable temperature boilers.
- Ultra low NOx emissions in the environment.
- Operation through low NOx emissions light oil burner ECO LN.
- Steel boiler shell with flame injection wet bottom cylindrical furnaces.
- Heat resistant protection of the combustion chamber allowing easy control of the flue gas temperature.
- Two ultra thick steel concentric flues enabling even distribution of heat and avoiding condensation.
- Heat loss preventing high-thickness insulation.
- Standard special front insulation.
- Door opening adjustable arm.
- Stainless steel turbolators.
- External instrument panel for unit control and adjustment.
- Control thermometer pocket.



### Installation and Maintenance

- A burner can be fitted onto the boiler plate.
- Maintenance is made simple thanks to easy accessibility to internal components by means of the adjustable arm.

### Optional accessories

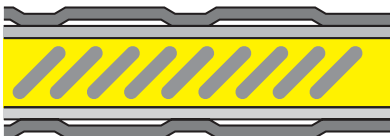
- For optional accessories intended for NEINOX BT/G boilers see page 85.

### Certification

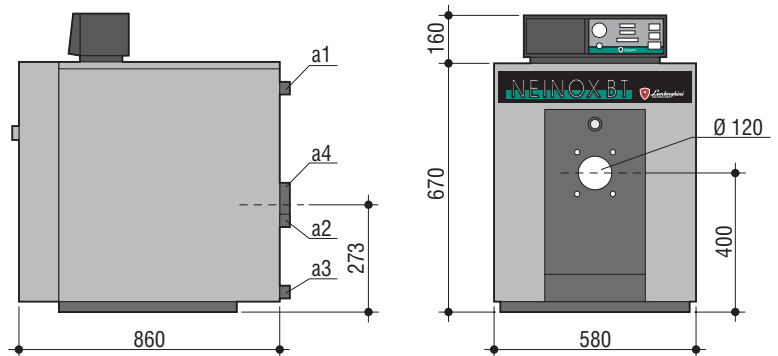
- NEINOX BT/G boiler is EC type approved.



Opening arm



Concentric gas flue pipes



Boiler type	Furnace power		Useful efficiency			Maximum heating pressure bar	Power voltage V/Hz	Heating delivery Ø a1	Heating return Ø a2	Boiler discharge Ø a3	Flue connection Ø a4	Weight Kg
	kW	kcal/h	a 50/30°C 100 %	a 80/60°C 100 %	30 %							
<b>NEINOX BT 31G</b>	34	29.240	93	91,6	91,2	3	230/50	1"	1"	1"	30	145

Boiler code	Boiler type	Boiler type	Useful power	
			kW	kcal/h
00703491	ECO 4 LN	<b>NEINOX BT 31G</b>	31	26.600

# High-efficiency steel boilers

## NEINOX BT

- Ideal boilers for small-size buildings heating.
- Low variable temperature boilers for maximum efficiency.
- Ultra low NOx emissions in the environment.
- Operation through of low light oil or gas burners.
- Steel boiler shell with flame injection wet bottom cylindrical furnaces.
- Heat resistant protection of the combustion chamber allowing to keep high flue gas temperature.
- Two ultra thick steel concentric flues enabling even distribution of heat and avoiding condensation.
- Heat loss preventing high-thickness insulation.
- Standard special front insulation.
- Door opening adjustable arm.
- Stainless steel turbolators.
- External instrument panel for unit control and adjustment.
- Control thermometer pocket.
- NEINOX BT boilers can be combined with BITHERM boilers.



### Installation and Maintenance

- A burner can be fitted onto the boiler plate.
- Maintenance is made simple thanks to easy accessibility to internal components by means of the adjustable arm.

### Optional accessories

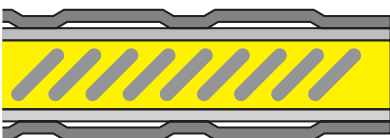
- For optional accessories intended for NEINOX BT boilers see page 85.

### Certification

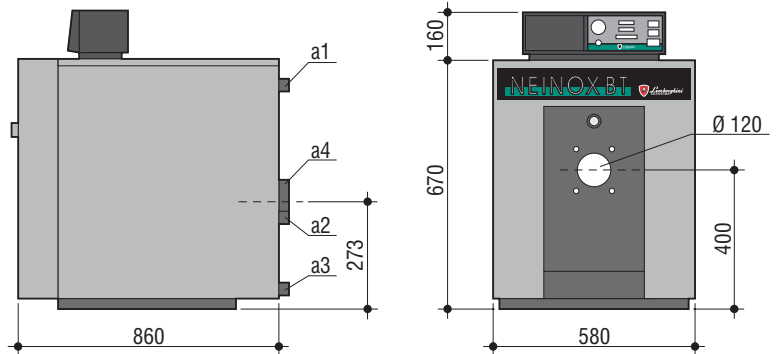
- NEINOX BT boilers are EC type approved.



Opening arm



Concentric gas flue pipes



Boiler type	Furnace power		Useful efficiency			Maximum heating pressure bar	Power voltage V/Hz	Heating delivery Ø a1	Heating return Ø a2	Boiler Discharge Ø a3	Flue connection Ø a4	Weight Kg
	kW	kcal/h	a 50/30°C 100 %	a 80/60°C 100 %	30 %							
<b>NEINOX BT 31</b>	34	29.240	93	91,6	91,2	3	230/50	1"	1"	1"	30	145

Boiler code	Boiler type	Useful power	
		kW	kcal/h
00902141	<b>NEINOX BT 31</b>	31	26.600

## NEINOX

- Ideal boilers for small- and medium-size buildings heating.
- Steel boiler shell with flame injection wet bottom cylindrical furnaces.
- Ultra low NOx emissions in the environment.
- Operation through of low light oil or gas burners.
- Heat loss preventing high-thickness insulation.
- Standard special front insulation.
- Door opening adjustable arm.
- Stainless steel turbolators.
- Ultra thick steel flues.
- External instrument panel for unit control and adjustment.
- Control thermometer pocket.
- NEINOX boilers can be combined with BITHERM boilers.



### Installation and Maintenance

- A burner can be fitted onto the boiler plate.
- Maintenance is made simple thanks to easy accessibility to internal components by means of the adjustable arm.

### Optional accessories

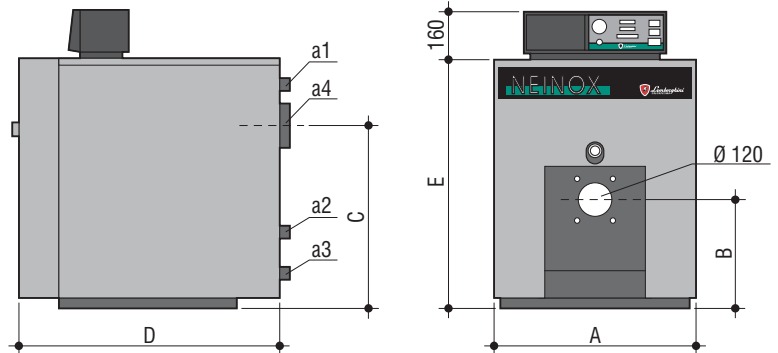
- For optional accessories intended for NEINOX boilers see page 85.

### Certification

- NEINOX boilers are EC type approved.



Insulation



Boiler type	Furnace power		Useful efficiency %		Maximum heating pressure bar	Power voltage V/Hz	Heating delivery Ø a1	Heating return Ø a2	Boiler discharge Ø a3	Flue connection Ø a4	A mm.	B mm.	C mm.	D mm.	E mm.	Weight Kg
	kW	kcal/h	100 %	30 %												
NEINOX 22	24	20.700	91,7	91,4	3	230/50	1"	1"	1"	127	525	280	460	780	620	110
NEINOX 31	34	29.240	91,6	91,2	3	230/50	1"	1"	1"	127	580	300	500	810	670	130
NEINOX 40	44	37.840	91,3	91,1	3	230/50	1 1/4"	1 1/4"	1"	178	660	320	550	920	760	160
NEINOX 50	55	47.300	91,2	91	3	230/50	1 1/4"	1 1/4"	1"	178	660	320	550	920	760	160
NEINOX 70	77	66.220	91,5	91,3	3	230/50	1 1/4"	1 1/4"	1"	178	660	320	550	1.010	760	200

Boiler code	Boiler type	Useful power	
		kW	kcal/h
00902091	NEINOX 22	22	18.800
00902101	NEINOX 31	31	26.600
00902111	NEINOX 40	40	34.400
00902121	NEINOX 50	50	43.000
00902131	NEINOX 70	70	60.200

## High-efficiency steel boilers

### • MINIA R - MINIA CI

- High-efficiency steel boilers for hot sanitary water heating (mod. R) and instantaneous supply, ideal for domestic heating.
- Ultra thick steel boiler shell.
- Instantaneous exchanger for hot sanitary water (mod. CI).
- Burner fitted with external air intake.
- Expansion tank 10l.
- Heating circuit circulator.
- Hydraulic 3-way valve (mod. CI).
- Stainless steel turbolators.
- IPX4D protection degree.

#### • Pre-assembled and pre-calibrated burner

- Two-valve gas burner, stabilizer, filter, gas and air pressure switch for minimum pressure.
- High-performance cone-shaped light oil burner, complete with nozzle pre-heater.

#### • Electronic control panel featuring the following functions:

- Heating and sanitary temperature regulation.
- Defect display.
- Anti-freeze function.
- Post-circulation function.

#### • Installation and Maintenance

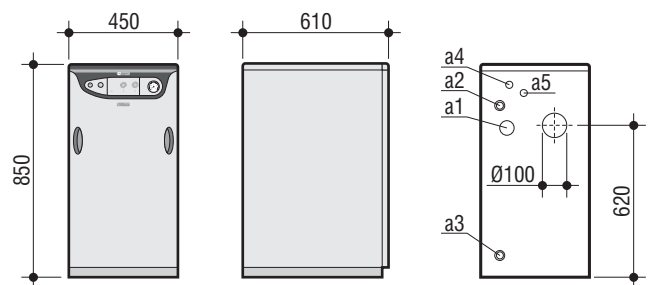
- Maintenance is made simple thanks to easy accessibility to internal components.
- Installation is enabled by the burner pre-assembly.

#### • Optional accessories

- For optional accessories intended for MINIA R – MINIA CI boilers see page 85.

#### • Certification

- MINIA R and MINIA CI boilers are EC type approved.



Boiler type	Furnace power		Useful efficiency%		Maximum heating pressure		Power voltage V/Hz	Hot sanitary water production l/h	Heating delivery Ø a1	Heating return Ø a2	Boiler discharge Ø a3	Entrata acqua F Ø a4	Uscita acqua C Ø a5	Weight kg
	kW	kcal/h	100 %	30 %	risc.	sanit.								
<b>MINIA 31 R</b>	33,9	29.154	90,26	91,02	3	-	230/50	-	60	3/4"	3/4"	1/2"	-	72
<b>MINIA 31 CI</b>	33,9	29.154	90,26	91,02	3	6	230/50	14,5	60	3/4"	3/4"	1/2"	1/2"	80

Boiler type	Useful power	
	kW	kcal/h
<b>MINIA 31 R</b>	30,5	26.230
<b>MINIA 31 CI</b>	30,5	26.230

## • MINIA CB

- High-efficiency proof steel boilers for hot sanitary water heating supply, ideal for domestic heating.
- Ultra thick steel boiler shell.
- 120 Lt. storage boiler in painted steel for big amounts of hot sanitary water.
- 12 Lt. expansion tank for heating circuit.
- Sanitary and heating circuit circulators.
- Stainless steel turbolators.
- IPX4D protection degree.

### • Pre-assembled and pre-calibrated burner fitted with external air intake

- Two-valve gas burner, stabilizer, filter, gas and air pressure switch for minimum pressure.
- High-performance cone-shaped light oil burner.

### • Electronic control panel featuring the following functions:

- Heating temperature regulation through display (hot sanitary water/heating).
- Time and date schedule of daily and weekly operation intervals for heating and sanitary circuits.
- Multifunction LCD display and relevant digital controls.
- Reckoning of the operation hours.
- CHECK CONTROL function for self-diagnosis.
- Circulator antiscuff (once every 170 hours).
- "Antilegionella" function (once every 168 hours with the boiler temperature amounting to 60°C).
- Summer/Winter/Manual/Stand-by operational conditions.

### • Installation and Maintenance

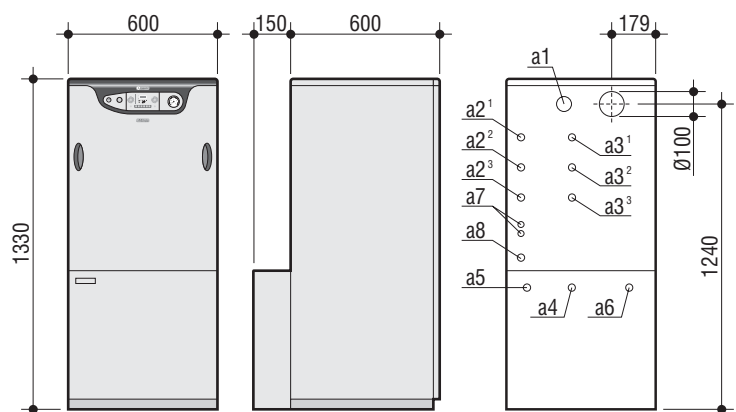
- Maintenance is made simple thanks to easy accessibility to internal components.
- Installation is enabled by the burner pre-assembly.

### • Optional accessories

- For optional accessories intended for MINIA CB boilers see page 85.
- External probe allowing variable temperature management within the operation range intended for the boiler.
- Room thermostat or "remote" control with/without external probe.
- "Multizone" card for managing up to 4 direct zones or up to 2 direct and 1 mixed zone, with/without external probe.

### • Certification

- MINIA CB boilers are EC type approved.



Boiler type	Furnace power kW	Useful efficiency % kcal/h	Maximum heating pressure 100 % 30 %	Power voltage V/Hz	Hot sanitary water production l/h	Heating delivery ΔT 30°C Ø a2	Heating return Ø a3	Air change Ø a4	Cold water inlet Ø a6	Hot water outlet Ø a5	Burner suction unit Ø a1	Light oil connection Ø a7	Gas connection Ø a8	Weight kg	
<b>MINIA 31 CB</b>	33,9	29.154	90,26 91,02	3 6	230/50	765	3/4"	3/4"	3/4"	3/4"	3/4"	80	3/4"	3/8"	202

Boiler type	Useful power kW	kcal/h
<b>MINIA 31 CB</b>	30,5	26.230

## High-efficiency steel boilers

### • “proof” MINIA N CBX

- High-efficiency proof steel boilers for hot sanitary water heating supply, ideal for domestic heating.
- Ultra thick steel boiler shell.
- Stainless steel high-density 90 Lt. boiler, covered with polystyrene for big amounts of hot sanitary water.
- Burner fitted with external air inlet.
- 10 Lt. expansion tank for heating circuit.
- 3 Lt. expansion tank for sanitary circuit.
- Sanitary and heating circuit circulators.
- Stainless steel turbolators.
- IPX4D protection degree.

### • Pre-assembled and pre-calibrated burner fitted with external air intake

- Two-valve gas burner, stabilizer, filter, gas and air pressure switch for minimum pressure.
- High-performance cone-shaped light oil burner.

### • Electronic control panel featuring the following functions:

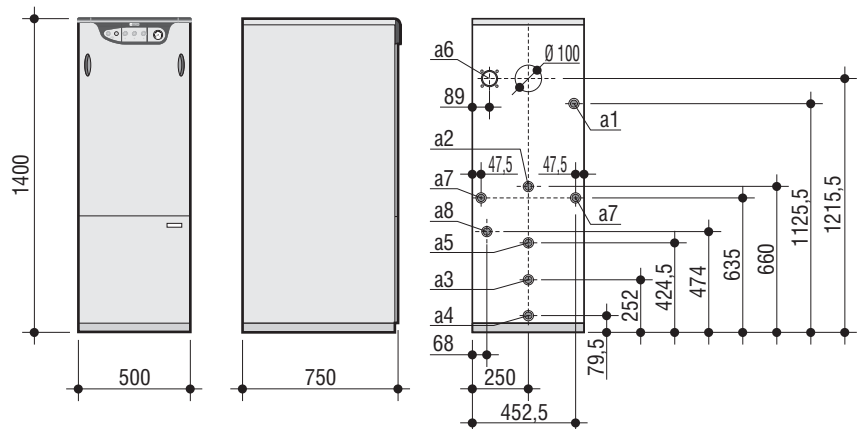
- Heating and sanitary temperature regulation.
- Defect display.
- Anti-freeze function.
- Differentiated disposal after-circulation function.
- “Antilegionella” function (once every 168 hours with the boiler temperature amounting to 60°C).

### • Installation and Maintenance

- Maintenance is made simple thanks to easy accessibility to internal components.
- Installation is enabled by the burner pre-assembly.

### • Certification

- MINIA N CBX boilers are EC type approved.



Boiler type	Furnace power kW	Useful power kcal/h	Efficiency % 100 % 30 %	Maximum heating risc. sanit.	Power V/Hz	Hot sanitary water production ΔT 30°C l/h	Heating delivery Ø a1	Heating return Ø a2	Air change Ø a3	Cold water inlet Ø a4	Hot water outlet Ø a5	Burner suction unit Ø a6	Light oil connection Ø a7	Gas connection Ø a8	Weight kg
MINIA N 31 CBX	34,8	29.930	91 91,5	3 6	230/50	800	3/4"	3/4"	3/4"	3/4"	3/4"	80	3/8"	3/4"	150

Boiler type	Useful power	
	kW	kcal/h
MINIA N 31 CBX	31,7	27.200

## MEGA PREX BT

### Low temperature and low emission

- Pressurized boilers, ideal for medium/big-size buildings heating.
- Low variable temperature for maximum efficiency.
- Steel boiler shell featuring 3 pass exhaust way
- Low NOx emissions in the environment.
- Heat resistant protection of the combustion chamber allowing to keep high flue gas temperature.
- Two ultra thick steel concentric flues enabling even distribution of heat and avoiding condensation.
- Stainless steel turbolators.
- Hinged opening door.
- Standard special front insulation.
- Heat loss preventing ultra thick insulation.
- Vertically arranged shell and tube structure, placed over the furnace.
- Reduced width (<90 cm).
- External instrument panel for unit control and adjustment.
- Control thermometer pocket.
- Light oil and gas burner operation.

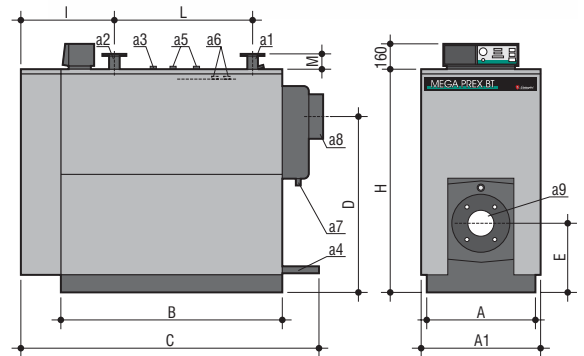


### Installation and Maintenance

- A burner can be fitted onto the boiler plate.
- Maintenance is made simple thanks to easy accessibility to internal components.

### Certification

- MEGA PREX BT boilers are EC type approved.



boiler type	A mm.	A1 mm.	B mm.	C mm.	D mm.	E mm.	H mm.	I mm.	L mm.	M mm.	weight kg
MEGA PREX BT 100	660	715	1.252	1.655	978	374	1.225	565	740	52	625
MEGA PREX BT 150	660	715	1.252	1.655	978	374	1.225	565	740	52	655
MEGA PREX BT 180	700	755	1.412	1.815	1.082	410	1.345	565	900	52	750
MEGA PREX BT 230	700	755	1.412	1.815	1.082	410	1.345	565	900	52	790
MEGA PREX BT 290	745	800	1.462	1.865	1.210	460	1.500	615	900	57	900
MEGA PREX BT 350	820	875	1.744	2.147	1.340	495	1.630	665	1.075	53	1.100
MEGA PREX BT 400	820	875	1.744	2.147	1.340	495	1.630	665	1.075	53	1.160
MEGA PREX BT 460	890	945	1.744	2.147	1.422	520	1.750	665	1.075	50	1.380
MEGA PREX BT 580	890	945	1.744	2.147	1.422	520	1.750	665	1.075	50	1.450

boiler code	boiler type	useful power	
		kW	kcal/h
00902001	M. PREX BT 100	105	90.300
00902011	M. PREX BT 150	151	129.860
00902021	M. PREX BT 180	186	160.000
00902031	M. PREX BT 230	233	200.380
00902041	M. PREX BT 290	291	250.260
00902051	M. PREX BT 350	349	300.140
00902061	M. PREX BT 400	407	350.000
00902071	M. PREX BT 460	465	399.900
00902081	M. PREX BT 580	581	499.660

## High-efficiency steel boilers

### MEGA PREX 90÷1150

- Pressurized boilers, ideal for medium/big-size buildings heating.
- Flame injection furnace steel boiler shell.
- Light oil and gas burner operation.
- External instrument panel for unit control and adjustment.
- Heat loss preventing ultra thick insulation.
- Standard special front insulation in models 90 ÷ 1150.
- Hinged opening door.
- Stainless steel turbolators.
- Ultra thick steel flues.
- Control thermometer pocket.

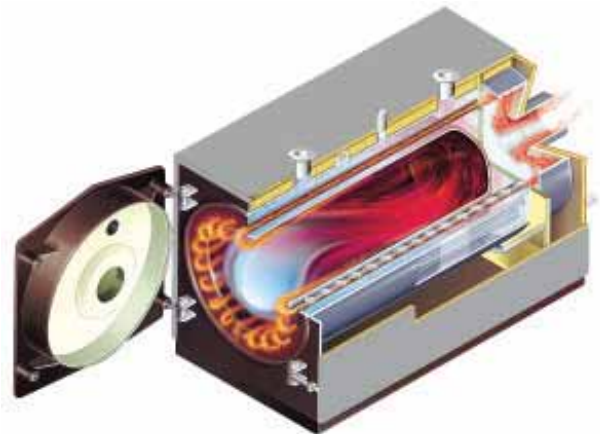
#### • Installation and Maintenance

- A burner can be fitted onto the boiler plate.
- Maintenance is made simple thanks to easy accessibility to internal components.

#### • Certification

- MEGA PREX boilers are EC type approved.

- See sizes on page 18.



Flame injection operation

boiler code	boiler type	useful power	
		kW	kcal/h
00902151	M. PREX 90	93	80.000
00902161	M. PREX 100	105	90.000
00902171	M. PREX 115	116	100.000
00902181	M. PREX 150	151	130.000
00902191	M. PREX 180	186	160.000
00902201	M. PREX 230	232	200.000
00902211	M. PREX 290	290	250.000
00902221	M. PREX 340	349	300.000
00902231	M. PREX 400	407	350.000
00902241	M. PREX 460	465	400.000
00902251	M. PREX 580	581	500.000
00902261	M. PREX 700	698	600.000
00902271	M. PREX 800	814	700.000
00902281	M. PREX 930	930	800.000
00902291	M. PREX 1050	1.046	900.000
00902301	M. PREX 1150	1.163	1.000.000



## ¥MEGA PREX 1400÷2900

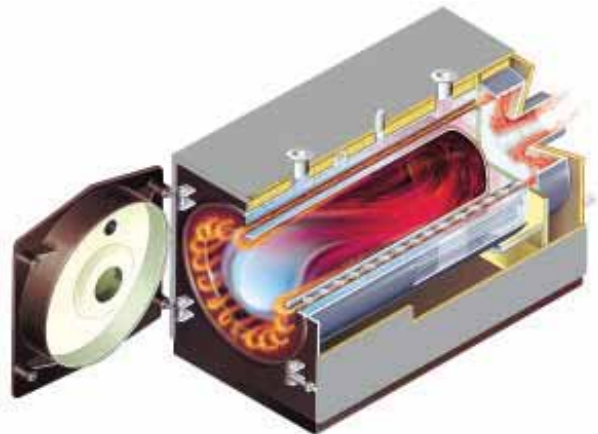
- Pressurized boilers, ideal for big buildings heating.
- Flame injection furnace steel boiler shell.
- Light and oil burner operation.
- External instrument panel for unit control and adjustment.
- Heat loss preventing ultra thick insulation.
- Hinged opening door.
- Stainless steel turbolators.
- Control thermometer pocket.

### ¥ Installation and Maintenance

- A burner can be fitted onto the boiler plate.
- Maintenance is made simple thanks to easy accessibility to internal components.

### ¥ Certification

- MEGA PREX boilers are EC type approved.
- See sizes on page 18.



Flame injection operation

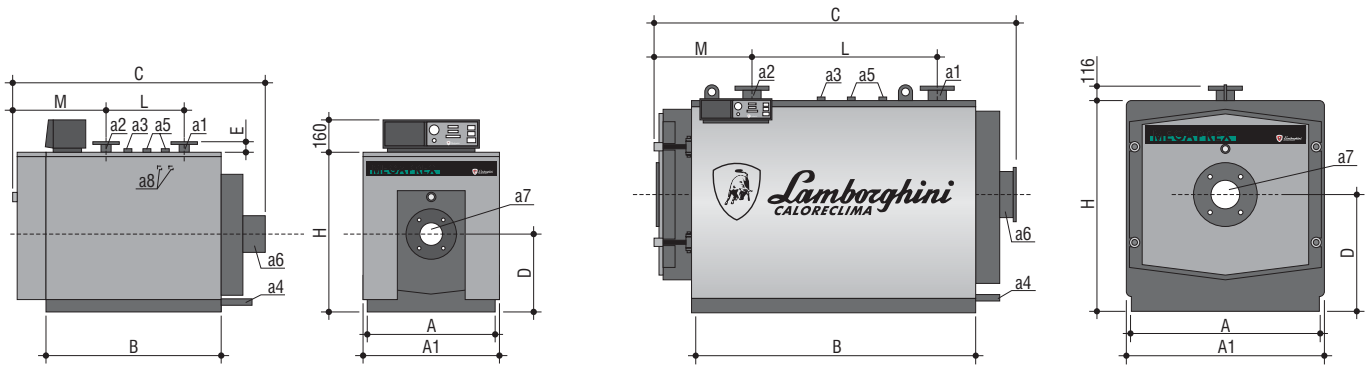
boiler code	boiler type	useful power	
		kW	kcal/h
00908440	M. PREX 1400	1.395	1.200.000
00908450	M. PREX 1550	1.569	1.350.000
00908460	M. PREX 1750	1.744	1.500.000
00908470	M. PREX 2000	1.976	1.700.000
00908480	M. PREX 2300	2.325	2.000.000
00908490	M. PREX 2900	2.907	2.500.000

# High-efficiency steel boilers

## ¥ Technical data and sizes of MEGA PREX

boiler type	furnace power %		useful efficiency		maximum heating pressure bar	power voltage V/Hz	heating delivery DN a1	heating return DN a2	Instrument connection Ø a3	Boiler discharge Ø a4	expansion tank Ø a5	flue connection Ø a6	burner connection Ø a7	thermostat socket Ø a8
	kW	kcal/h	100 %	30 %										
MEGA PREX 90	102	87.740	91,18	89,7	5	230/50	50	50	1"	1"	-	200	130	1/2"
MEGA PREX 100	115	98.570	91,3	90,11	5	230/50	50	50	1"	1"	-	200	130	1/2"
MEGA PREX 115	127	109.480	90,63	90,05	5	230/50	50	50	1"	1"	-	200	130	1/2"
MEGA PREX 150	165	142.050	90,42	91,15	5	230/50	50	50	1"	1"	-	250	160	1/2"
MEGA PREX 180	203	174.620	90,73	90,36	5	230/50	50	50	1"	1"	-	250	160	1/2"
MEGA PREX 230	252	217.240	90,63	90,23	5	230/50	65	65	1"	1"	-	250	180	1/2"
MEGA PREX 290	314	270.690	90,91	89,74	5	230/50	65	65	1"	1"	-	250	180	1/2"
MEGA PREX 340	378	324.930	90,18	89,91	5	230/50	80	80	1"	1"	1 1/4"***	250	225	1/2"
MEGA PREX 400	442	380.100	90,04	89,82	5	230/50	80	80	1"	1"	1 1/4"***	250	225	1/2"
MEGA PREX 460	504	443.550	90,29	90,07	5	230/50	80	80	1"	1 1/4"	1 1/4"	300	225	1/2"
MEGA PREX 580	633	544.750	90,22	89,94	5	230/50	80	80	1"	1 1/4"	1 1/4"	300	225	1/2"
MEGA PREX 700	760	653.300	90,05	89,76	5	230/50	100	100	1"	1 1/4"	1 1/2"	350	280	1/2"
MEGA PREX 800	889	764.500	90,14	89,89	5	230/50	100	100	1"	1 1/4"	1 1/2"	350	280	1/2"
MEGA PREX 930	1.018	875.700	90,20	89,94	5	230/50	100	100	1"	1 1/4"	1 1/2"	350	280	1/2"
MEGA PREX 1050	1.139	980.020	90,17	89,86	5	230/50	125	125	1"	1 1/4"	1 1/2"	400	280	1/2"
MEGA PREX 1150	1.265	1.088.640	90,78	90,13	5	230/50	125	125	1"	1 1/4"	1 1/2"	400	280	1/2"
MEGA PREX 1400	1.528	1.314.410	90,23	90,02	5	230/50	150	150	1"	1 1/4"	1 1/2"	400	320	-
MEGA PREX 1550	1.719	1.479.060	90,22	90,09	5	230/50	150	150	1"	1 1/4"	1 1/2"	400	320	-
MEGA PREX 1750	1.907	1.640.190	90,36	90,09	5	230/50	150	150	1"	1 1/4"	1 1/2"	400	320	-
MEGA PREX 2000	2.170	1.866.900	90,39	90,23	5	230/50	200	200	1 1/2"	1 1/4"	2"	500	360	-
MEGA PREX 2300	2.554	2.196.990	90,08	89,81	5	230/50	200	200	1 1/2"	1 1/4"	2"	500	360	-
MEGA PREX 2900	3.197	2.749.400	90,25	89,94	5	230/50	200	200	1 1/2"	1 1/4"	2"	550	400	-

\* Only one connection



MEGA PREX 90÷ 1.150

MEGA PREX 1.400÷ 2.900

boiler type	A mm.	A1 mm.	B mm.	C mm.	D mm.	E mm.	H mm.	L mm.	M mm.	weight kg
MEGA PREX 90	700	750	755	1.195	415	56	855	265	484	240
MEGA PREX 100	700	750	755	1.195	415	56	855	265	484	240
MEGA PREX 115	700	750	755	1.195	415	56	855	265	484	240
MEGA PREX 150	750	800	1.000	1.440	440	56	905	475	484	320
MEGA PREX 180	750	800	1.000	1.440	440	56	905	475	484	320
MEGA PREX 230	850	900	1.250	1.690	490	56	1.005	700	484	440
MEGA PREX 290	850	900	1.500	1.940	490	56	1.005	980	484	500
MEGA PREX 340	890	940	1.502	1.900	500	80	1.015	850	600	540
MEGA PREX 400	890	940	1.502	1.900	500	80	1.015	850	600	540
MEGA PREX 460	1.110	1.160	1.502	1.950	610	80	1.205	850	660	800
MEGA PREX 580	1.110	1.160	1.792	2.240	610	80	1.205	1.150	660	900
MEGA PREX 700	1.240	1.290	1.753	2.255	675	82	1.335	1.100	710	1.140
MEGA PREX 800	1.240	1.290	2.003	2.500	675	82	1.335	1.200	710	1.340
MEGA PREX 930	1.240	1.290	2.003	2.500	675	82	1.335	1.200	710	1.340
MEGA PREX 1050	1.390	1.440	2.003	2.500	750	83	1.485	1.200	710	1.760
MEGA PREX 1150	1.390	1.440	2.003	2.500	750	83	1.485	1.200	710	1.760
MEGA PREX 1400	1.270	1.470	2.300	2.850	880	-	1.630	1.300	795	2.600
MEGA PREX 1550	1.270	1.470	2.300	2.850	880	-	1.630	1.300	795	2.600
MEGA PREX 1750	1.270	1.470	2.510	3.060	880	-	1.630	1.850	735	2.750
MEGA PREX 2000	1.400	1.600	2.510	3.190	945	-	1.760	1.550	870	3.650
MEGA PREX 2300	1.400	1.600	2.770	3.450	945	-	1.760	1.950	870	3.900
MEGA PREX 2900	1.670	1.870	2.770	3.450	1.080	-	2.030	2.050	870	5.200

## MEGA PREX SL

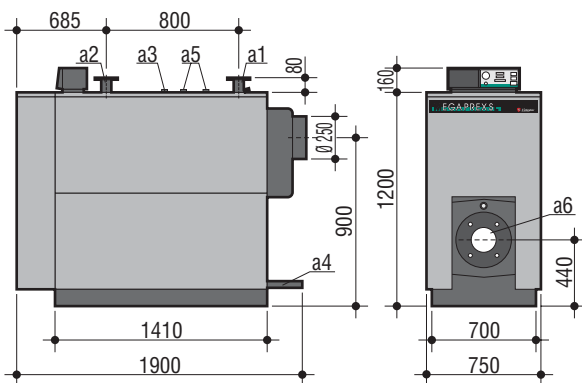
- Pressurized boilers, ideal for medium/big-size buildings heating.
- Ultra reduced width (<80 cm), for easy replacement in existing heating plants.
- Flame injection furnace steel boiler.
- Vertically arranged shell and tube structure, placed over the furnace.
- Light oil and gas burner operation.
- External instrument panel for unit control and adjustment.
- Heat loss preventing ultra thick insulation.
- Standard special front insulation.
- Hinged opening door.
- Stainless steel turbolators.
- Ultra thick steel flues.
- Control thermometer pocket.

### Installation and Maintenance

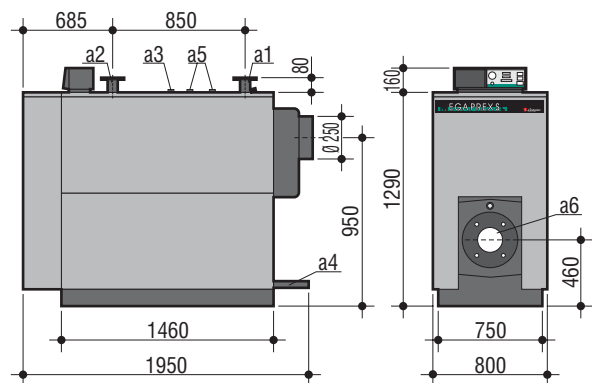
- A burner can be fitted onto the boiler plate.
- Maintenance is made simple thanks to easy accessibility to internal components.

### Certification

- MEGA PREX SL boilers are EC type approved.



MEGA PREX SL 230 - MEGA PREX SL 290



MEGA PREX SL 340 - MEGA PREX SL 400

boiler type	furnace power		useful efficiency		maximum heating pressure	power voltage	heating delivery	heating return	Instrument connection	Boiler discharge	Safety valve	burner connection	weight
	kW	kcal/h	100 %	30 %									
MEGA PREX SL 230	255	219.300	91,7	90,85	5	230/50	65	65	1"	1"	1"	155	720
MEGA PREX SL 290	319	274.340	90,86	90,56	5	230/50	65	65	1"	1"	1"	155	780
MEGA PREX SL 340	384	330.240	90,98	90,71	5	230/50	80	80	1 1/4"	1 1/4"	1"	180	900
MEGA PREX SL 400	448	385.280	90,84	90,62	5	230/50	80	80	1 1/4"	1 1/4"	1"	180	980

boiler code	boiler type	useful power	
		kW	kcal/h
00902451	M. PREX SL 230	232	200.000
00902461	M. PREX SL 290	290	250.000
00902471	M. PREX SL 340	349	300.000
00902481	M. PREX SL 400	407	350.000

# High-efficiency steel boilers

## DUO PREX

- Pressurized boilers ideal for medium/big-size buildings heating.
- 2 superposed steel boiler shells with flame injection.
- High heating power with reduced overall dimensions.
- Operation through gas blown burners.
- External instrument panel for unit control and adjustment.
- Heat loss preventing ultra thick insulation.
- Standard special front insulation.
- Hinged opening door.
- Stainless steel turbolators.
- Ultra thick steel flues.
- Control thermometer pocket.

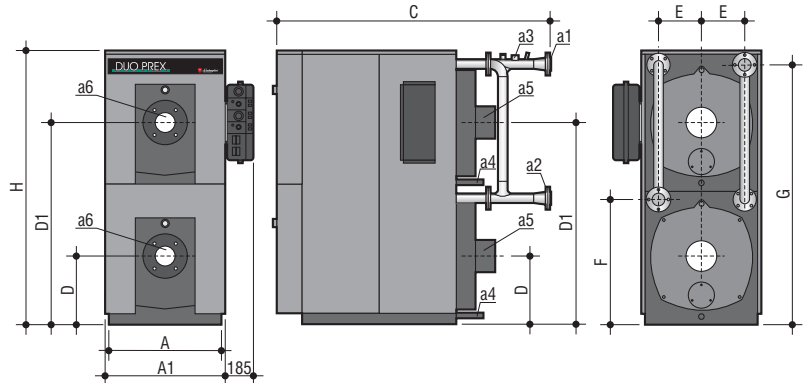


### Installation and Maintenance

- A burner can be fitted onto the boiler plate.
- Maintenance is made simple thanks to easy accessibility to internal components.

### Certification

- DUO PREX boilers are EC type approved.



boiler type	A mm.	A1 mm.	B mm.	C mm.	D mm.	D1 mm.	E mm.	F mm.	G mm.	H mm.	weight kg
DUO PREX 180	700	750	755	1470	415	1245	270	780	1610	1693	454
DUO PREX 200	700	750	755	1470	415	1245	270	780	1610	1693	476
DUO PREX 230	700	750	755	1470	415	1245	270	780	1610	1693	500
DUO PREX 300	750	800	1000	1745	440	1320	295	830	1710	1793	695
DUO PREX 360	750	800	1000	1745	440	1320	295	830	1710	1793	725
DUO PREX 460	850	900	1250	2000	490	1470	345	930	1910	1993	870
DUO PREX 580	850	900	1250	2000	490	1470	345	930	1910	1993	1116

boiler type	furnace power %		useful efficiency		maximum heating pressure bar	power voltage V/Hz	heating delivery DN a1	heating return DN a2	Instrument connection Ø a3	Boiler discharge Ø a4	flue connection Ø a5	burner connection Ø a6
	kW	kcal/h	100 %	30 %								
DUO PREX 180	204	175.800	91,18	90,3	5	230/50	65	65	1"	1"	200	120
DUO PREX 200	230	198.000	90,87	90,3	5	230/50	65	65	1"	1"	200	120
DUO PREX 230	257	220.800	90,66	90,15	5	230/50	65	65	1"	1"	200	120
DUO PREX 300	333	286.400	90,69	90,25	5	230/50	80	80	1"	1"	250	155
DUO PREX 360	411	353.200	90,51	90,3	5	230/50	80	80	1"	1"	250	155
DUO PREX 460	512	440.000	90,82	90	5	230/50	80	80	1"	1"	250	155
DUO PREX 580	639	549.400	90,92	90,2	5	230/50	80	80	1"	1"	250	155

boiler code	boiler type	useful power	
		kW	kcal/h
00902381	DUO PREX 180	186	160.000
00902391	DUO PREX 200	209	180.000
00902401	DUO PREX 230	233	200.000
00902411	DUO PREX 300	302	260.000
00902421	DUO PREX 360	372	320.000
00902431	DUO PREX 460	465	400.000
00902441	DUO PREX 580	581	500.000



# High efficiency cast iron boilers

## • SEC B

- Basement boiler suitable for hot sanitary water heating and supply.
- Cast iron boiler shell.
- Stainless steel 90 Lt. boiler.
- Sanitary circuit circulator.
- Combustion chamber and exchanger being designed for over 90% guaranteed efficiency.
- Operation through gas blown burners.
- Instrument panel for proper operation control.
- Heat loss preventing ultra thick insulation.
- Suitable for clock controller fitting.



### • Installation and Maintenance

- A burner can be fitted onto the boiler plate.
- Maintenance is made simple thanks to easy accessibility to internal components.

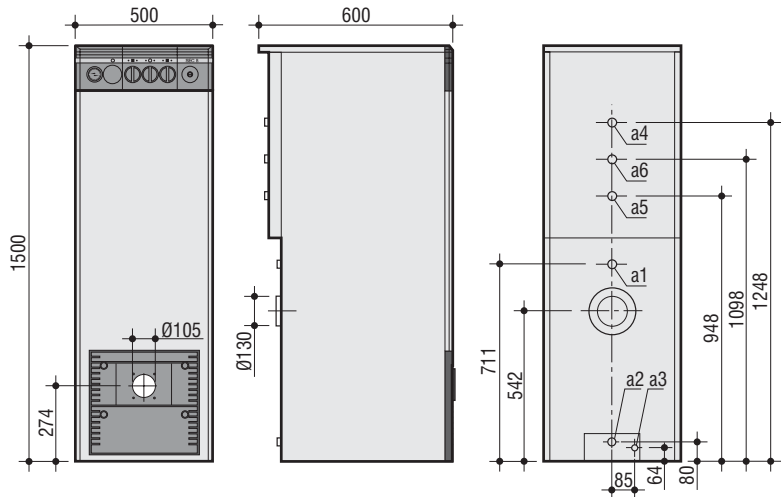
### • Certificazione

- SEC B boilers are EC type approved.

### • Clock controller kit



Code	Description
08506540	<b>Clock controller kit</b>



boiler type	furnace power		useful efficiency %		max. pressure bar		power voltage V/Hz	hot sanitary water supply $\Delta T$ 30°C l/h	heating delivery $\varnothing$ a1	heating return $\varnothing$ a2	Boiler discharge $\varnothing$ a3	Boiler delivery $\varnothing$ a4	Boiler return $\varnothing$ a5	Ricircolo $\varnothing$ a6	weight kg
	kW	kcal/h	100 %	30 %	heating	sanitary									
<b>SEC 30 B</b>	34	29.240	90	92	4	6	230/50	900	1 °"	1 °"	1/2"	3/4"	3/4"	3/4"	135

boiler code	boiler type	useful power	
		kW	kcal/h
00905430	<b>SEC 30 B</b>	30,6	26.316

## • EXA

- Basement boiler suitable for hot sanitary water heating and supply.
- Cast iron boiler shell.
- Combustion chamber and exchanger being designed for over 90% guaranteed efficiency.
- Operation through gas blown burners.
- Heat loss preventing ultra thick insulation.
- Instrument panel for proper operation control.
- EXA boilers can be combined with PAC S and BITHERM boilers.

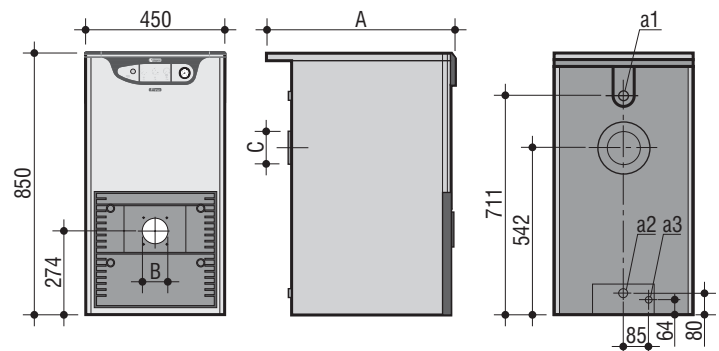


### • Installation and Maintenance

- A burner can be fitted onto the boiler plate.
- Maintenance is made simple thanks to easy accessibility to internal components.

### • Certification

- EXA boilers are EC type approved.



### • EXA-PAC S electrical connection kit.

Code	Description
08515320	EXA-PAC S electrical connection kit.

boiler type	furnace power		useful efficiency %		maximum sanitary heating pressure bar	power voltage V/Hz	heating delivery DN a1	heating return DN a2	Boiler discharge Ø a3	A mm.	B Ø mm.	C Ø mm.	weight Kg
	kW	kcal/h	100%	30%									
EXA 20	23,25	19.995	90	92	4	230/50	1 °"	1 °"	1/2"	420	105	130	80
EXA 27	34	29.240	90	92	4	230/50	1 °"	1 °"	1/2"	420	105	130	105
EXA 32	38,6	33.196	90,4	92,08	4	230/50	1 °"	1 °"	1/2"	420	105	130	105
EXA 40	51,4	44.204	90,4	92,14	4	230/50	1 °"	1 °"	1/2"	620	105	130	130
EXA 50	64,1	55.126	90,6	92,23	4	230/50	1 °"	1 °"	1/2"	620	105	180	155
EXA 60	77,2	66.392	90,4	92,17	4	230/50	1 °"	1 °"	1/2"	820	125	180	180
EXA 70	89,7	77.142	90,7	92,25	4	230/50	1 °"	1 °"	1/2"	820	125	180	205
EXA 80	103,2	88.752	90,4	92,2	4	230/50	1 °"	1 °"	1/2"	920	125	180	230

boiler code	boiler type	useful power	
		kW	kcal/h
00905100	EXA 20	20,9	17.974
00905110	EXA 27	30,6	26.316
00905120	EXA 32	34,9	30.014
00905130	EXA 40	46,5	39.990
00905140	EXA 50	58,1	49.996
00905150	EXA 60	69,8	60.028
00905160	EXA 70	81,4	70.004
00905170	EXA 80	93,3	80.238

# High efficiency cast iron boiler

## • VIT

- Basement boiler suitable for hot sanitary water heating and supply.
- Cast iron boiler shell.
- Instantaneous exchanger for hot sanitary water (models VIT CI).
- Pre-assembled and pre-calibrated light gas burner, complete with nozzle pre-heater.
- Burner fitted with external air inlet.
- Heating circuit 10 Lt. expansion tank.
- Heating circuit circulator.
- 3-way electrical valve.
- Combustion chamber and exchanger being designed for over 90% guaranteed efficiency.
- Heat loss preventing ultra thick insulation.
- Instrument panel for proper operation control.
- IP X4D protection degree.



### • Electronic control panel featuring the following functions:

- Heating temperature regulation.
- Defect display.
- Anti-freeze function.
- Post-circulation function.

### • Installation and Maintenance

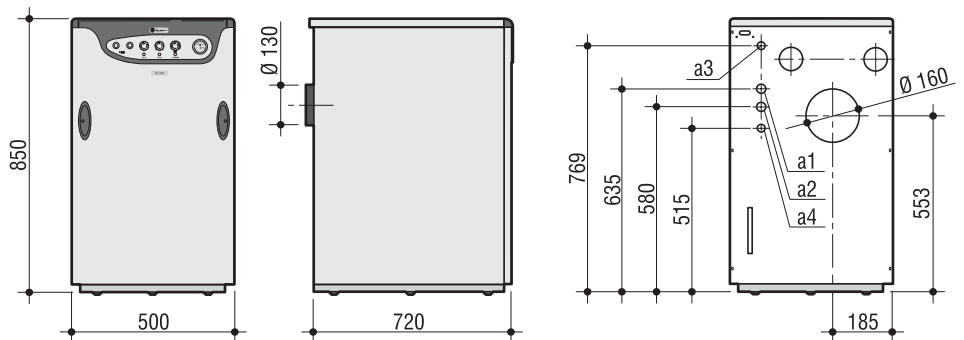
- Maintenance is made simple thanks to easy accessibility to internal components.
- A burner can be fitted onto the boiler plate.

### • Certification

- VIT boilers are EC type approved (only for light gas operation).

### • Range of product

- VIT R boiler: only for heating.
- VIT CI: for hot sanitary water heating and supply.



boiler type	furnace power		useful efficiency		maximum pressure		power voltage V/Hz	hot sanitary water supply $\Delta T$ 30°C l/min.	heating delivery $\varnothing$ a1	heating return $\varnothing$ a2	Cold water inlet $\varnothing$ a3	Hot water outlet $\varnothing$ a4	weight kg
	kW	kcal/h	100 %	30 %	risc.	sanit.							
VIT 30 R	34,76	29.900	91,5	92,2	3	-	230/50	-	3/4"	3/4"	1/2"	-	160
VIT 30 CI	34,76	29.900	91,5	92,2	3	6	230/50	2,5÷ 15,5	3/4"	3/4"	1/2"	1/2"	160

boiler code	burner type	boiler type	useful power	
			kW	kcal/h
00704881	ECO 3 R	VIT 30 R	32,55	28.000
00704891	ECO 3 R	VIT 30 CI	32,55	28.000



## • “proof” BIA F

- Proof basement boilers suitable for hot sanitary water heating and supply.
- Cast iron boiler shell.
- Combustion chamber and exchanger being designed for over 90% guaranteed efficiency.
- Stainless steel boiler, covered with high-density polystyrene: 90 Lt. for model BIA 30-90 and 120 Lt. for model BIA 40-120.
- Burner fitted with external air inlet.
- Heating circuit 10 Lt. expansion tank.
- Sanitary circuit 4 Lt. expansion tank.
- Heating and sanitary circuit circulators.
- IP X4D protection degree.

### • Pre-assembled and pre-calibrated air inlet burner

- Two-valve gas burner, stabilizer, filter, gas and air pressure switch for minimum pressure.
- High-performance cone-shaped light oil burner, complete with nozzle pre-heater.

### • Electronic control panel featuring the following functions:

- Heating and sanitary temperature regulation.
- Defect display.
- Anti-freeze function.
- Post-circulation function.
- “antilegionella” function.

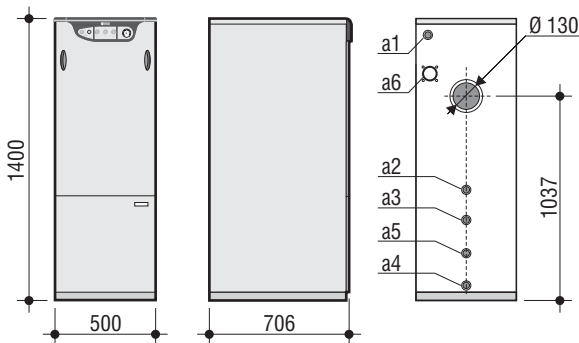
### • Installation and Maintenance

- A burner can be fitted onto the boiler plate.
- Maintenance is made simple thanks to easy accessibility to internal components.

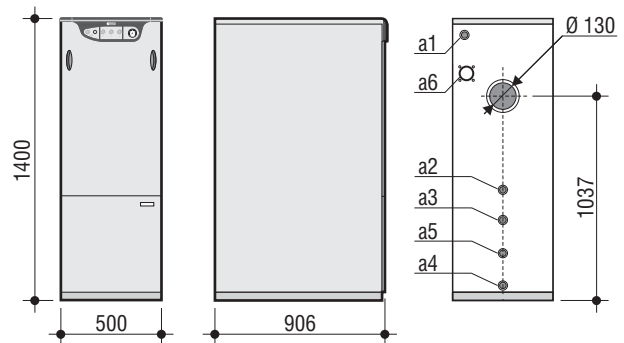
### • Certification

- BIA F boilers are EC type approved.

◆ Gas thermal couplings are supplied on demand. Please contact our Sales Department to be informed on the delivery time.



**BIA F 30-90**



**BIA F 40-120**

boiler type	furnace power		useful efficiency %		maximum pressure bar		power voltage V/Hz	hot sanitary water supply $\Delta T$ 30°C l/h	heating delivery $\varnothing$ a1	heating return $\varnothing$ a2	boiler delivery $\varnothing$ a3	boiler return $\varnothing$ a4	hot water tank ricirculation $\varnothing$ a5	burner suction unit $\varnothing$ a6	weight kg
	kW	kcal/h	100 %	30 %	risc.	sanit.									
<b>BIA F 30-90</b>	34	29.240	90	92	3	7	230/50	800	1"	1"	3/4"	3/4"	3/4"	80	180
<b>BIA F 40-120</b>	51,4	44.204	90,4	92,14	3	7	230/50	900	1"	1"	3/4"	3/4"	3/4"	80	240

boiler type	useful power	
	kW	kcal/h
<b>BIA F 30-90</b>	30,6	26.316
<b>BIA F 40-120</b>	46,5	39.990

# High efficiency cast iron boiler

## ¥BIG F

- Proof basement boilers suitable for medium-sized systems.
- Pre-assembled high-quality cast iron boiler shell.
- Combustion chamber and exchanger being designed for over 90% guaranteed efficiency.
- Light gas and gas burner operation.
- Heat loss preventing ultra thick insulation.
- Instrument panel for proper operation control.
- IP X4D protection degree.

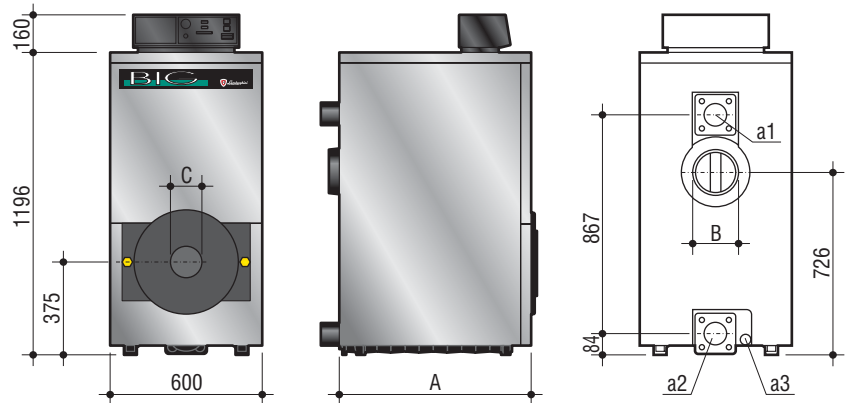


### • Installation and Maintenance

- A burner can be fitted onto the boiler plate.
- Maintenance is made simple thanks to easy accessibility to internal components.

### ¥ Certification

- BIG F boilers are EC type approved.
- Available in FK version "to be assembled"



boiler type	furnace power		useful efficiency			maximum pressure bar	power voltage V/Hz	heating delivery DN a1	heating return DN a2	Burner discharge Ø a3	A mm.	B Ø mm.	C Ø mm.	weight Kg
	kW	kcal/h	100%	100%	30%									
<b>BIG F 107</b>	116	99.760	91,8	91,3	92,2	6	230/50	80 - 3"	80 - 3"	3/4"	757	180	120	411
<b>BIG F 126</b>	136,9	117.734	91,9	91,2	92,4	6	230/50	80 - 3"	80 - 3"	3/4"	867	180	120	462
<b>BIG F 144</b>	156,5	134.590	92,2	91,5	92,3	6	230/50	80 - 3"	80 - 3"	3/4"	977	200	120	513
<b>BIG F 162</b>	176	151.360	92,3	91,7	92,4	6	230/50	80 - 3"	80 - 3"	3/4"	1.087	200	150	564
<b>BIG F 180</b>	195,6	168.216	92,3	91,8	92,4	6	230/50	80 - 3"	80 - 3"	3/4"	1.197	200	150	615
<b>BIG F 198</b>	215,2	185.072	92,2	91,8	92,4	6	230/50	80 - 3"	80 - 3"	3/4"	1.307	200	150	666
<b>BIG F 216</b>	234,7	201.842	92,4	91,9	92,5	6	230/50	80 - 3"	80 - 3"	3/4"	1.417	200	150	720
<b>BIG F 234</b>	254,3	218.698	92,4	91,9	92,6	6	230/50	80 - 3"	80 - 3"	3/4"	1.527	200	150	775
<b>BIG F 252</b>	273,9	235.554	92	92	92,6	6	230/50	80 - 3"	80 - 3"	3/4"	1.637	200	150	830

boiler code	boiler type	useful power	
		kW	kcal/h
00906040	<b>BIG F 107</b>	107	92.020
00906050	<b>BIG F 126</b>	126	108.360
00906060	<b>BIG F 144</b>	144	123.840
00906070	<b>BIG F 162</b>	162	139.320
00906080	<b>BIG F 180</b>	180	154.800
00906090	<b>BIG F 198</b>	198	170.280
00906100	<b>BIG F 216</b>	216	185.760
00906110	<b>BIG F 234</b>	234	201.240
00906120	<b>BIG F 252</b>	252	216.720

## ¥BIG FK to be assembled

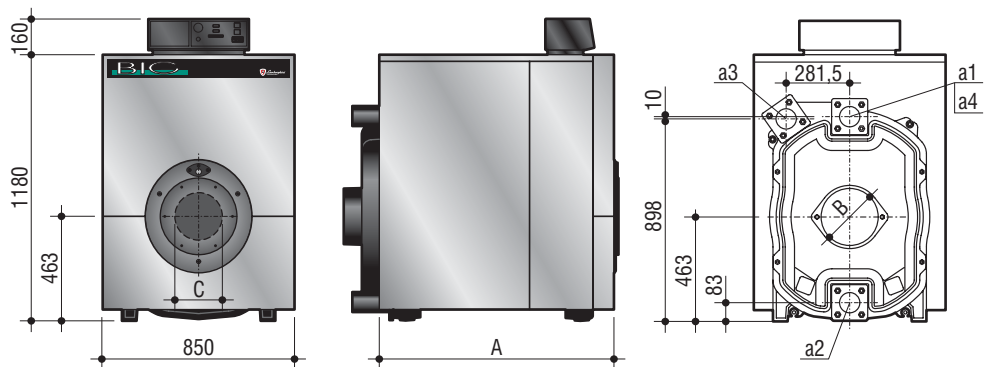
- Proof basement boilers suitable for medium- and big-sized systems.
- High-quality cast iron boiler shell, with components to be assembled during the installation of the boiler at the heating plant; three pass exhaust way.
- Combustion chamber and exchanger being designed for over 90% guaranteed efficiency.
- Light gas and gas burner operation.
- Ideal for low temperature (35°C) system operation.
- Heat loss preventing ultra thick insulation.
- Instrument panel for proper operation control.
- IP X4D protection degree.

### • Installation and Maintenance

- A burner can be fitted onto the boiler plate.

### ¥ Certificazione

- BIG FK boilers are EC type approved.



boiler type	furnace power		useful efficiency %		maximum pressure bar	power voltage V/Hz	heating delivery DN a1	heating return DN a2	heating delivery DN a3	heating return DN a4	A mm.	B Ø mm.	C Ø mm.	weight Kg
	kW	kcal/h	100%	30%										
<b>BIG FK 200</b>	217	186.620	92,2	95,4	6	230/50	80 - 3"	80 - 3"	80 - 3"	80 - 3"	1.040	180	145	890
<b>BIG FK 250</b>	270	232.200	92,6	96	6	230/50	80 - 3"	80 - 3"	80 - 3"	80 - 3"	1.170	180	150	1.000
<b>BIG FK 300</b>	324	278.640	92,6	96,5	6	230/50	80 - 3"	80 - 3"	80 - 3"	80 - 3"	1.300	250	150	1.110
<b>BIG FK 360</b>	388	333.680	92,8	97,1	6	230/50	80 - 3"	80 - 3"	80 - 3"	80 - 3"	1.430	250	180	1.220
<b>BIG FK 420</b>	452	388.720	92,9	97,1	6	230/50	80 - 3"	80 - 3"	80 - 3"	80 - 3"	1.560	250	180	1.330
<b>BIG FK 480</b>	516	443.760	93	97,2	6	230/50	80 - 3"	80 - 3"	80 - 3"	80 - 3"	1.690	250	180	1.440
<b>BIG FK 560</b>	600	516.000	93,3	97,3	6	230/50	80 - 3"	80 - 3"	80 - 3"	80 - 3"	1.820	250	205	1.550
<b>BIG FK 650</b>	695	597.700	93,5	97,3	6	230/50	80 - 3"	80 - 3"	80 - 3"	80 - 3"	1.950	250	205	1.660

boiler code	boiler type	useful power	
		kW	kcal/h
00906130	<b>BIG FK 200</b>	200	172.000
00906140	<b>BIG FK 250</b>	250	215.000
00906150	<b>BIG FK 300</b>	300	258.000
00906160	<b>BIG FK 360</b>	360	309.600
00906170	<b>BIG FK 420</b>	420	361.200
00906180	<b>BIG FK 480</b>	480	412.800
00906190	<b>BIG FK 560</b>	560	481.600
00906200	<b>BIG FK 650</b>	650	559.000





## • AIR-ACE

- Outdoor wall-hung proof and ducted gas air heaters.
- Zone heating allowed.
- Stainless steel exchanger, combustion chamber and enbloc flue header.
- Stainless steel atmospheric burner suitable for all kinds of gas.
- Panels treated for external use.
- Flue discharge electrical fan.
- Electronic ignition.
- Ionization flame control.
- Centrifugal fan unit.
- IP X4D protection degree.

### • Maintenance

- Maintenance is made simple thanks to easy accessibility to internal components.

### • Standard accessories

- GPL nozzles.
- Delivery duct union.
- Air inlet duct horizontal union.
- Air duct sloped union complete with grid.
- Flue discharge kit.
- Combustion air suction kit.
- Remote control panel equipped with electrical cable and 10 Mt. sheath.

### • Optional accessories

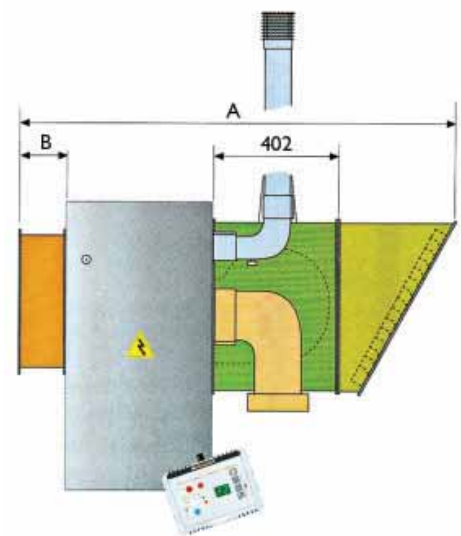
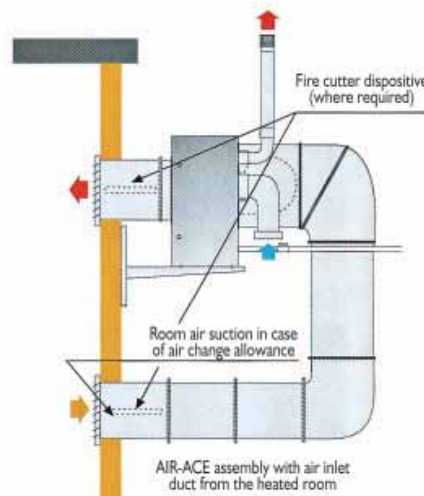
- For the accessories relating to heaters AIR-ACE. please see on page 85.

### • Certification

- AIR-ACE air heaters are EC type approved.
- On demand: Please contact our Sales Department to be informed or the delivery time.



On demand



heater type	furnace power		useful efficiency %	20°C air capacity m <sup>3</sup> /h	power voltage V/Hz	Noise level a 5 m. dB	Prevalence PA	A mm.	B mm.	weight kg
	kW	kcal/h								
<b>AIR 30 ACE</b>	34,8	29.900	91,7	2.500	230/50 mon.	48,5	80	1.385	167	73
<b>AIR 49 ACE</b>	57	49.000	90,5	5.000	230/50 mon.	51,5	80	1.385	167	125
<b>AIR 73 ACE</b>	85	73.100	89	7.300	230/50 mon.	53	80	1.464	102	207

heater code	heater type	useful power	
		kW	kcal/h
00064030	<b>AIR 30 ACE</b>	31,9	27.400
00064040	<b>AIR 49 ACE</b>	51,6	44.380
00064050	<b>AIR 73 ACE</b>	75,6	65.050

## "Industrial" air heaters

### • LGE

- High-efficiency basement industrial air heaters.
- Light oil and gas burner operation.
- Stainless steel combustion chamber.
- Low-revolution ventilation unit, consisting of double suction centrifugal fans.
- Instruments for unit control and adjustment, complete with triple thermostat and electrical panel.
- Pre-painted sheet panels covered with soundproofing and lagging coating.
- Side closing panel.
- For models LGE 25 ÷ LGE 65, fan units with 230V/50Hz single-phase motor are fitted. For remaining models, fan units with 400V/50Hz three-phase motors are provided.
- Summer ventilation.
- **LGE 500 ÷ LGE 900 models are supplied on demand. Please contact our Sales Department to be informed on the delivery time.**



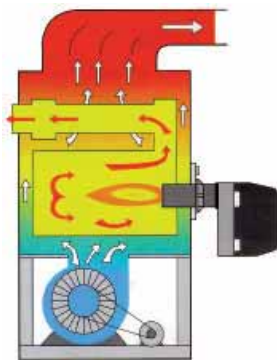
### • Installation and Maintenance

- Installation may be performed in the room through direct supply or be connected to distribution channels.
- Maintenance is made simple thanks to easy accessibility to internal components.

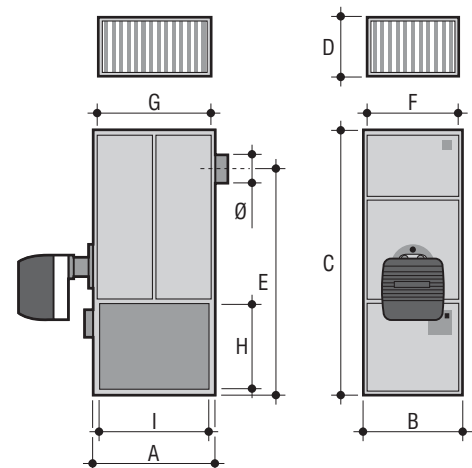
### • Certification

- LGE air heaters are EC type approved.

- Prices and technical data are shown on page?



Combustion air and flue discharge way



heater type	A mm.	B mm.	C mm.	D mm.	E mm.	F mm.	G mm.	H mm.	I mm.	Ø mm.	weight kg
LGE 25 - LGE 35	660	530	1.430	305	1.215	490	620	480	620	150	147-155
LGE 51 - LGE 65	870	636	1.750	305	1.500	596	830	630	830	180	220-230
LGE 80 - LGE 100	1.000	750	1.900	405	1.675	670	920	770	920	200	325-335
LGE 125 - LGE 150	1.260	900	2.060	405	1.750	820	1.180	760	1.180	250	493-503
LGE 175 - LGE 200	1.440	1.020	2.340	405	1.975	940	1.360	760	1.360	250	570-595
LGE 250 - LGE 300	1.790	1.020	2.340	405	1.975	940	1.710	760	1.710	300	840-870
LGE 375	1.960	1.280	2.660	405	2.280	1.200	1.880	930	1.880	300	1.230
LGE 425 - LGE 500	2.300	1.340	2.660	405	2.280	1.260	2.220	930	2.220	300	1.515-1.585
LGE 600	2.820	1.550	2.960	445	2.572	1.470	2.740	970	2.740	350	1.935
LGE 750	2.820	1.620	3.100	445	2.672	1.540	2.740	970	2.740	400	2.395
LGE 900	3.720	1.620	3.100	445	2.672	1.540	3.640	970	3.640	400	2.920









## • BOX ZONE

- Zone management devices for systems up to 35 kW.
- Ideal for embedded-type assembly; wall-hung installation is also possible.
- Zone delivery circulators.
- Operation management electronic card.
- Safety thermostat in low temperature zone (Box Mix Zone).
- Circulator anti-blocking function.
- Post-circulation (10 seconds).
- Temperature regulation for precedence probe (25÷ 45°C).
- Anti-freeze device (5÷ 7°C).
- Possible connection of an external probe to the Box Mix Zone (on demand).
- Electromechanical mixing valve (Box Mix Zone).
- Delivery temperature regulation of low temperature zone (Box Mix Zone).
- Water circuit breaker.
- Led Check Control for defect detection.



### • Maintenance

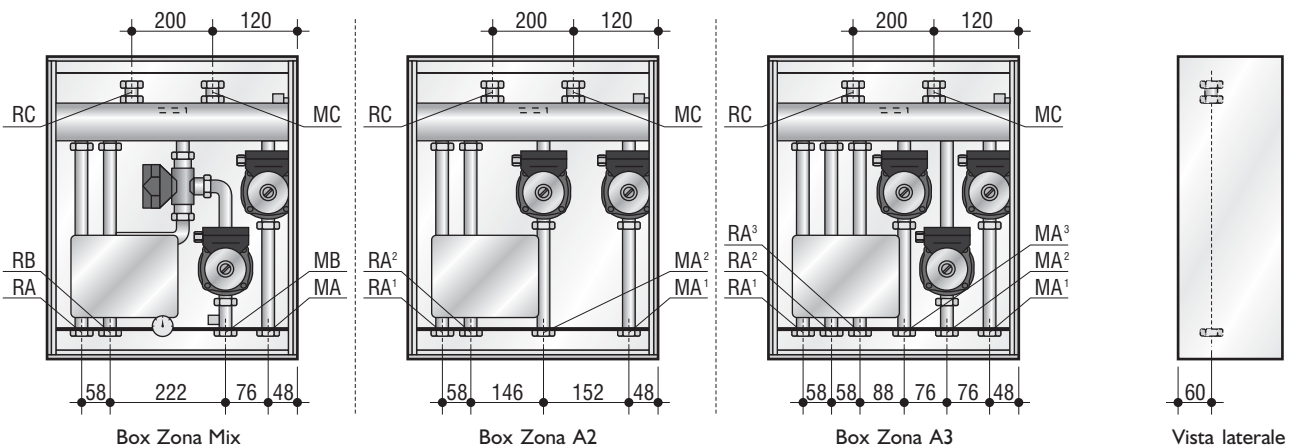
- Maintenance is made simple thanks to easy accessibility to internal components

### • Optional accessories

- To see the accessories suitable for BOX ZONE, see page 85.

### • Range of accessories

- **Box Mix Zone:** for managing 1 high temperature zone and 1 low temperature zone.
- **Box Zone A2:** for managing 2 high temperature or low temperature zones (only for suitable boilers).
- **Box Zone A3:** for managing 3 high temperature or low temperature zones (only for suitable boilers).



**MC** = Boiler delivery

**RC** = Boiler return

**MB** = Low temperature heating delivery

**RB** = Low temperature heating return

**MA<sup>1</sup> - MA<sup>2</sup> - MA<sup>3</sup>** = Temperature heating delivery systems

**RA<sup>1</sup> - RA<sup>2</sup> - RA<sup>3</sup>** = Temperature heating return systems

Box zone type	Water content l	Maximum operating pressure bar	Maximum operating pressure °C	Post circulation sec.	power voltage V/Hz	Transformer protection fuse W	Transformer protection fuse A	Width	Height	Depth	Weight kg
<b>BOX ZONE MIX</b>	5	3	90	10	230/50	260	3,15	440	550	175	17
<b>BOX ZONE A2</b>	5	3	90	10	230/50	230	3,15	440	550	175	18,5
<b>BOX ZONE A3</b>	5	3	90	10	230/50	340	3,15	440	550	175	20,5

Box Zone code

Box Zone type

08516500 **BOX ZONE MIX**

08516510 **BOX ZONE A2**

08516520 **BOX ZONE A3**





## • FUTURIA L “thermal”

- Ultra-high efficiency proof condensation boilers, suitable for heating.
- Ideal for low temperature system operation.
- Special casting aluminium corrosion proofing enbloc exchanger.
- Stainless steel pre-mixing burner.
- Wet-type combustion chamber.
- Ionization flame control electronic ignition.
- Electronically controlled continuous modulation for the heating circuit with steady air/gas ratio.
- Natural gas or G.P.L. operation.
- Instruments for retraction unit control and regulation.
- High-prevalence circulator.
- 8 Lt. expansion tank.
- Proof combustion circuit with flue discharge electrical fan.
- Water trap siphon.
- Sanitary circulator arrangement.
- Class: NO<sub>x</sub> = 5.
- IP X4D protection degree.
- Boiler electrical kit (on demand) for combination with PAC B boilers.

### • Installation and Maintenance

- Easy installation thanks to template connections and water connection kits (on demand).
- Maintenance is made simple thanks to easy accessibility to internal components.

### • Optional accessories

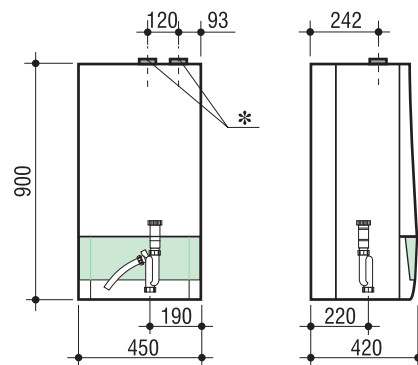
- For accessories suitable for FUTURIA L boiler, see page 85.
- Flue inlet/outlet kits are not included in the supply. See accessories on demand on page 85.
- Water connection kits are not included in the supply. See accessories on demand on page 85.

### • Certification

- FUTURIA L boilers are EC type approved.



Heat exchanger



boiler type	furnace power		useful efficiency			Maximum heating. pressure bar	power voltage V/Hz	Weight Kg
	kW	kcal/h	a 50/30°C 100%	30%	a 80/60°C 100%			
<b>FUTURIA L 24 MT W TOP/IT</b>	8,8÷ 25	7.568÷ 21.500	103,7	106,2	98,1	3	230/50	62
<b>FUTURIA L 28 MT W TOP/IT</b>	10÷ 29	8.600÷ 24.940	102,8	106,6	97,8	3	230/50	62

\* Raccordi camino: scarico concentrico o scarico sdoppiato

boiler code	Fuel	boiler type	50/30°C useful power		80/60°C useful power	
			kW	kcal/h	kW	kcal/h
00904581	natural gas	<b>FUTURIA L 24 MT W TOP/IT</b>	9,33÷ 25,75	8.022÷ 22.145	8,98÷ 24,5	7.719÷ 21.070
00904591	LPG	<b>FUTURIA L 24 MT W TOP/IT</b>	9,33÷ 25,75	8.022÷ 22.145	8,98÷ 24,5	7.719÷ 21.070
00904601	natural gas	<b>FUTURIA L 28 MT W TOP/IT</b>	10,66÷ 29,81	9.168÷ 25.634	10,09÷ 28,36	8.677÷ 24.390
00904611	LPG	<b>FUTURIA L 28 MT W TOP/IT</b>	10,66÷ 29,81	9.168÷ 25.634	10,09÷ 28,36	8.677÷ 24.390



## • FUTURIA L “instantaneous”

- Ultra-high efficiency proof condensation boilers, suitable for hot sanitary water heating and supply.
- Ideal for low temperature system operation.
- Special casting aluminium corrosion proofing enbloc exchanger.
- Instantaneous exchanger for hot sanitary water with 5 Lt. micro-storage unit, complete with foamed polyurethane insulation.
- Stainless steel pre-mixing burner.
- Wet-type combustion chamber.
- Ionization flame control electronic ignition.
- Electronically controlled continuous modulation for the heating circuit with steady air/gas ratio.
- Natural gas or G.P.L. operation.
- Instruments for retraction unit control and regulation.
- High-prevalence circulator.
- 8 Lt. expansion tank.
- Three-way electrical valve.
- Proof combustion circuit with flue discharge electrical fan.
- Water trap siphon
- Class: NOx = 5.
- IP X4D protection degree.



### • Installation and Maintenance

- Easy installation thanks to template connections and water connection kits (on demand).
- Maintenance is made simple thanks to easy accessibility to internal components.

### • Optional accessories

- For accessories suitable for FUTURIA L boiler, see page 85.

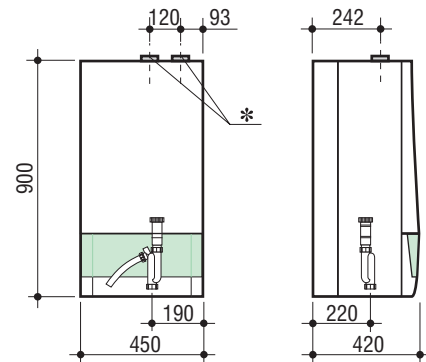
- Flue inlet/outlet kits are not included in the supply. See accessories on demand on page 85.
- Water connection kits are not included in the supply. See accessories on demand on page 85.

### • Certification

- FUTURIA L boilers are EC type approved.



Heat exchanger



boiler type	furnace power		useful efficiency			Maximum pressure		power voltage V/Hz	hot sanitary water supply. ΔT 30°C l/min	Weight Kg
	kW	kcal/h	a 50/30°C 100%	a 50/30°C 30%	a 80/60°C 100%	bar risc.	bar sanit.			
<b>FUTURIA L 24 MC W TOP/IT</b>	8,8÷ 25	7.568÷ 21.500	103,7	106,2	98,1	3	6	230/50	2,5÷ 11,7	72
<b>FUTURIA L 28 MC W TOP/IT</b>	10÷ 29	8.600÷ 24.940	102,8	106,6	97,8	3	6	230/50	2,5÷ 13,6	72

\* Flue connections: concentric or split discharge

boiler code	fuel	boiler type	50/30°C useful power		80/60°C useful power	
			kW	kcal/h	kW	kcal/h
00904501	natural gas	<b>FUTURIA L 24 MC W TOP/IT</b>	9,33÷ 25,75	8.022÷ 22.145	8,98÷ 24,5	7.719÷ 21.070
00904511	LPG	<b>FUTURIA L 24 MC W TOP/IT</b>	9,33÷ 25,75	8.022÷ 22.145	8,98÷ 24,5	7.719÷ 21.070
00904521	natural gas	<b>FUTURIA L 28 MC W TOP/IT</b>	10,66÷ 29,81	9.168÷ 25.634	10,09÷ 28,36	8.677÷ 24.390
00904531	LPG	<b>FUTURIA L 28 MC W TOP/IT</b>	10,66÷ 29,81	9.168÷ 25.634	10,09÷ 28,36	8.677÷ 24.390

# Wall-hung pre-mixed condensation gas boilers



## • FUTURIA L “boiler”

- Ultra-high efficiency proof condensation boilers, suitable for hot sanitary water supply.
- Ideal for low temperature system operation.
- Special casting aluminium corrosion proofing enbloc exchanger.
- 50 Lt. storage unit stainless steel boiler, complete with foamed polyurethane insulation.
- Stainless steel pre-mixing burner.
- Wet-type combustion chamber.
- Ionization flame control electronic ignition.
- Electronically controlled continuous modulation for both heating circuits with steady air/gas ratio.
- Natural gas or G.P.L. operation.
- Instruments for retraction unit control and regulation.
- High-prevalence circulator.
- 8 Lt. expansion tank.
- 2 Lt. sanitary circuit expansion tank.
- Three-way electrical valve.
- Proof combustion circuit with flue discharge electrical fan.
- Water trap siphon
- Class: NO<sub>x</sub> = 5.
- IP X4D protection degree.

### • Installation and Maintenance

- Easy installation thanks to template connections and water connection kits (on demand).
- Maintenance is made simple thanks to easy accessibility to internal components.

### • Optional accessories

- For accessories suitable for FUTURIA L boiler, see page 85.

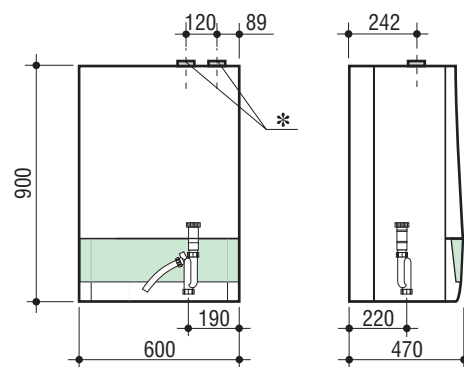
- Flue inlet/outlet kits are not included in the supply. See accessories on demand on page 85.
- Water connection kits are not included in the supply. See accessories on demand on page 85.

### • Certification

- FUTURIA L boilers are EC type approved.



Heat exchanger



boiler type	furnace power		useful efficiency			Maximum pressure		power voltage V/Hz	hot sanitary water supply ΔT 30°C l/h	Weight Kg
	kW	kcal/h	a 50/30°C 100%	30%	a 80/60°C 100%	risc. bar	sanit. bar			
<b>FUTURIA L 24 MB W TOP/IT</b>	8,8÷ 25	7.568÷ 21.500	103,7	106,2	98,1	3	6	230/50	702	95
<b>FUTURIA L 28 MB W TOP/IT</b>	10÷ 29	8.600÷ 24.940	102,8	106,6	97,8	3	6	230/50	766	95

\* Flue connections: concentric or split discharge

boiler code	Fuel	boiler type	50/30°C useful power		80/60°C useful power	
			kW	kcal/h	kW	kcal/h
00904541	natural gas	<b>FUTURIA L 24 MB W TOP/IT</b>	9,33÷ 25,75	8.022÷ 22.145	8,98÷ 24,5	7.719÷ 21.070
00904551	LPG	<b>FUTURIA L 24 MB W TOP/IT</b>	9,33÷ 25,75	8.022÷ 22.145	8,98÷ 24,5	7.719÷ 21.070
00904561	natural gas	<b>FUTURIA L 28 MB W TOP/IT</b>	10,66÷ 29,81	9.168÷ 25.634	10,09÷ 28,36	8.677÷ 24.390
00904571	LPG	<b>FUTURIA L 28 MB W TOP/IT</b>	10,66÷ 29,81	9.168÷ 25.634	10,09÷ 28,36	8.677÷ 24.390



## FUTURIA PLUS

- Ultra-high efficiency proof condensation boilers, suitable for hot sanitary water heating and supply.
- Ideal for low temperature system operation.
- Special casting aluminium corrosion proofing enbloc exchanger.
- 90 Lt. storage unit stainless steel boiler for big amounts of hot sanitary water.
- Stainless steel pre-mixing burner.
- Wet-type combustion chamber.
- Ionization flame control electronic ignition.
- Electronically controlled continuous modulation for both heating circuits with steady air/gas ratio.
- Slow opening gas valve.
- Instruments for retraction unit control and regulation.
- High-prevalence circulator.
- 8 Lt. expansion tank.
- 3 Lt. sanitary circuit expansion tank.
- Three-way electrical valve.
- Proof combustion circuit with flue discharge electrical fan.
- Water trap siphon
- Class: NOx = 5.
- IP X4D protection degree.



### Installation and Maintenance

- Easy installation thanks to template connections and water connection kits (on demand).
- Maintenance is made simple thanks to easy accessibility to internal components.

### Optional accessories

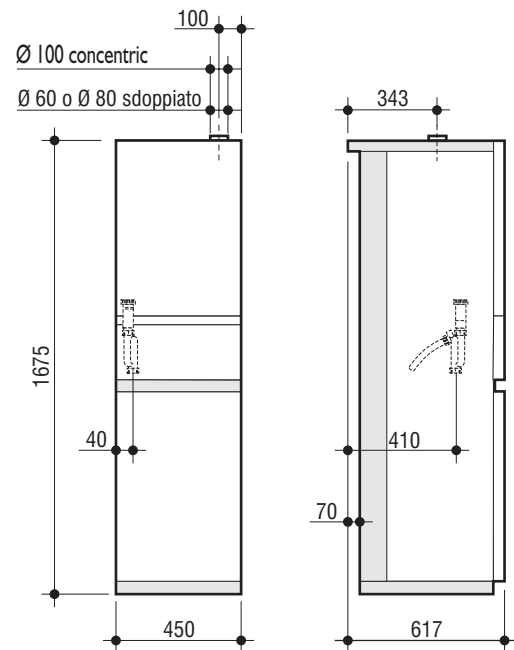
- For accessories suitable for FUTURIA PLUS boilers, see page 85.
- Flue inlet/outlet kits are not included in the supply. See accessories on demand on page 85.
- Water connection kits are not included in the supply. See accessories on demand on page 85.

### Certification

- FUTURIA PLUS boilers are EC type approved.



FUTURIA PLUS boiler



boiler type	furnace power		useful efficiency			Maximum pressure.		power voltage V/Hz	hot sanitary water supply $\Delta T$ 30°C l/h	Weight Kg
	kW	kcal/h	a 50/30°C 100%	30%	a 80/60°C 100%	risc. bar	sanit. bar			
FUTURIA 24 PLUS MB W TOP U/IT	8,8÷ 25	7.568÷ 21.500	103,7	106,2	98,1	3	6	230/50	680	89

boiler code	Fuel	boiler type	50/30°C useful power		80/60°C useful power	
			kW	kcal/h	kW	kcal/h
00901041	natural gas	FUTURIA 24 PLUS MB W TOP U/IT	9,33÷ 25,75	8.022÷ 22.145	8,98÷ 24,5	7.719÷ 21.070





## ● “termo” FUTURIA N

- Ultra-high efficiency proof condensation boilers, suitable for heating.
- Ultra-high heat exchange **aluminium lamellar exchanger**.
- Flame injection pre-mixed ceramic burner.
- Ideal for low temperature system operation.
- Suitable for water and electrical connection to the boiler kit (boiler circulator and temperature probe).
- Special casting aluminium corrosion proofing enbloc exchanger.
- Adjustable opening pneumatic gas valve.
- Microprocessor electronic card suitable for connection to the cascade control board and possible external probe.
- Variable speed fan.
- Ionization flame control electronic ignition.
- Electronically controlled continuous modulation for both heating circuits with steady air/gas ratio.
- Natural gas or G.P.L. operation.
- Instruments for retraction unit control and regulation.
- High-prevalence circulator.
- 10 Lt. expansion tank (models 15, 25 and 35).
- Check valve.
- G.P.L. kit supplied with the boiler.
- Water trap siphon
- Class: NOx = 5.
- IP X4D protection degree.



### ● Installation and Maintenance

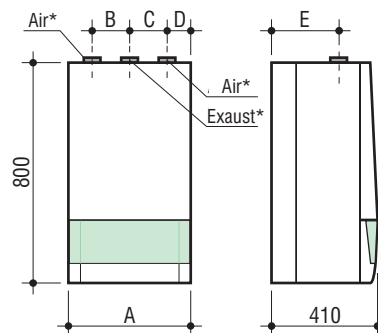
- Series of modules being cascade connected can be managed and easily assembled. The machine electronic unit is arranged for the connection of the control room to the cascade control and management microprocessor.
- Easy installation thanks to template connections and water connection kits (on demand).
- Maintenance is made simple thanks to easy accessibility to internal components.

### ● Optional accessories

- For accessories suitable for FUTURIA N boiler, see page 85.
- Flue inlet/outlet kits are not included in the supply. See accessories on demand on page 85.
- Water connection kits are not included in the supply. See accessories on demand on page 85.
- **When installing a Ø60/ Ø100 concentric kit, a “flanged concentric connection kit” (code 08516310) shall be assembled between the boiler and the concentric kit.**

### ● Certification

- FUTURIA N boilers are EC type approved.



boiler type	furnace power		useful efficiency		Maximum pressure bar	power voltage V/Hz	A mm.	B mm.	C mm.	D mm.	E mm.	Weight Kg	
	kW	kcal/h	a 50/30°C 100%	a 80/60°C 30%									
FUTURIA N 15 MT W TOP/IT	3,6÷ 15,3	3.096÷ 13.158	106,5	109	98	3	230/50	450	120	120	105	180	46,5
FUTURIA N 25 MT W TOP/IT	7,5÷ 25,2	6.450÷ 21.670	104,7	109	98	3	230/50	450	120	120	105	180	47,5
FUTURIA N 35 MT W TOP/IT	10,4÷ 34,8	8.940÷ 29.920	104,7	109,1	99,5	3	230/50	490	120	120	125	180	49,5
FUTURIA N 50 MT W TOP/IT	13,8÷ 46	11.868÷ 39.560	105,3	109	98,2	3	230/50	600	120	120	180	130	51,5

\* Flue connections: concentric or split discharge

boiler code	Fuel	boiler type	50/30°C useful power		80/60°C useful power	
			kW	kcal/h	kW	kcal/h
00905520	nat. gas/LPG	FUTURIA N 15 MT W TOP/IT	3,8÷ 16,3	3.268÷ 14.018	3,5÷ 15	3.010÷ 12.900
00905560	nat. gas/LPG	FUTURIA N 25 MT W TOP/IT	8÷ 26,4	6.880÷ 22.700	7,3÷ 24,7	6.280÷ 21.240
00905530	nat. gas/LPG	FUTURIA N 35 MT W TOP/IT	11,1÷ 36,4	9.540÷ 31.300	10,2÷ 34,6	8.770÷ 29.750
00905550	nat. gas/LPG	FUTURIA N 50 MT W TOP/IT	14,4÷ 48,4	12.384÷ 41.624	13,6÷ 45,2	11.696÷ 38.872



## ● “instantaneous” FUTURIA N

- Ultra-high efficiency proof condensation boilers, suitable for hot sanitary water heating and supply.
- Ultra-high heat exchange **aluminium lamellar exchanger**.
- Flame injection pre-mixed ceramic burner.
- Ideal for low temperature system operation.
- 5 Lt. hot sanitary water micro storage unit, complete with foamed polysterene insulation.
- Instantaneous exchanger for plate hot sanitary water.
- Adjustable opening pneumatic gas valve.
- Microprocessor electronic card suitable for connection to the cascade control board and possible external probe.
- Variable speed fan.
- Ionization flame control electronic ignition.
- Electronically controlled continuous modulation for both heating circuits with steady air/gas ratio.
- Natural gas or G.P.L. operation.
- Instruments for retraction unit control and regulation.
- Sanitary and heating circuit circulators.
- 10 Lt. expansion tank.
- Check valve.
- G.P.L. kit supplied with the boiler.
- Water trap siphon
- Class: NOx = 5.
- IP X4D protection degree.



### ● Installation and Maintenance

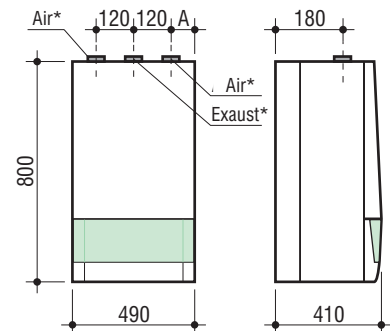
- Series of modules being cascade connected can be managed and easily assembled. The machine electronic unit is arranged for the connection of the control room to the cascade control and management microprocessor.
- Easy installation thanks to template connections and water connection kits (on demand).
- Maintenance is made simple thanks to easy accessibility to internal components.

### ● Optional accessories

- For accessories suitable for FUTURIA N boiler, see page 85.
- Flue inlet/outlet kits are not included in the supply. See accessories on demand on page 85.
- Water connection kits are not included in the supply. See accessories on demand on page 85.
- **When installing a Ø60/ Ø100 concentric kit, a “flanged concentric connection kit” (code 08516310) shall be assembled between the boiler and the concentric kit.**

### ● Certification

- FUTURIA N boilers are EC type approved.



boiler type	furnace power		useful efficiency			Maximum pressure		power voltage V/Hz	hot sanitary water supply l/min	A mm.	Weight Kg
	kW	kcal/h	a 50/30°C 100%	30%	a 80/60°C 100%	risc. bar	sanit. bar				
<b>FUTURIA N 25 MC W TOP/IT</b>	7,5÷ 25,2	6.450÷ 21.670	104,7	109	98	3	10	230/50	11,8	80	58,5
<b>FUTURIA N 35 MC W TOP/IT</b>	10,4÷ 34,8	8.940÷ 29.920	104,7	109,1	99,5	3	10	230/50	16,5	125	59,5

\* Flue connections: concentric or split discharge

boiler code	Fuel	boiler type	50/30°C useful power		80/60°C useful power	
			kW	kcal/h	kW	kcal/h
00907010	nat. gas/LPG	<b>FUTURIA N 25 MC W TOP/IT</b>	8÷ 26,4	6.880÷ 22.700	7,3÷ 24,7	6.280÷ 21.240
00905540	nat. gas/LPG	<b>FUTURIA N 35 MC W TOP/IT</b>	11,1÷ 36,4	9.540÷ 31.300	10,2÷ 34,6	8.770÷ 29.750

# Pre-mixed condensation gas heating modules



## REPLY

- Ultra-high efficiency condensation heating module, suitable for heating (Reply R) and hot sanitary water heating and supply (Reply C).
- Ideal for low temperature system operation.
- Special casting aluminium corrosion proofing enbloc exchangers.
- Wet-type combustion chambers.
- Stainless steel pre-mixing burner.
- Electronically controlled continuous modulation for both heating circuits with steady air/gas ratio.
- Ionization flame control electronic ignition.
- Instruments for unit control and regulation.
- Boiler circuit high-prevalence circulator.
- Three-way electrical valve (Mod. Reply C).
- Proof combustion circuit with high-prevalence flue discharge electrical fan.
- Water trap siphon
- Class: NO<sub>x</sub> = 5.
- IP X4D protection degree.
- Containment module structure suitable for external fitting.

### Installation and Maintenance

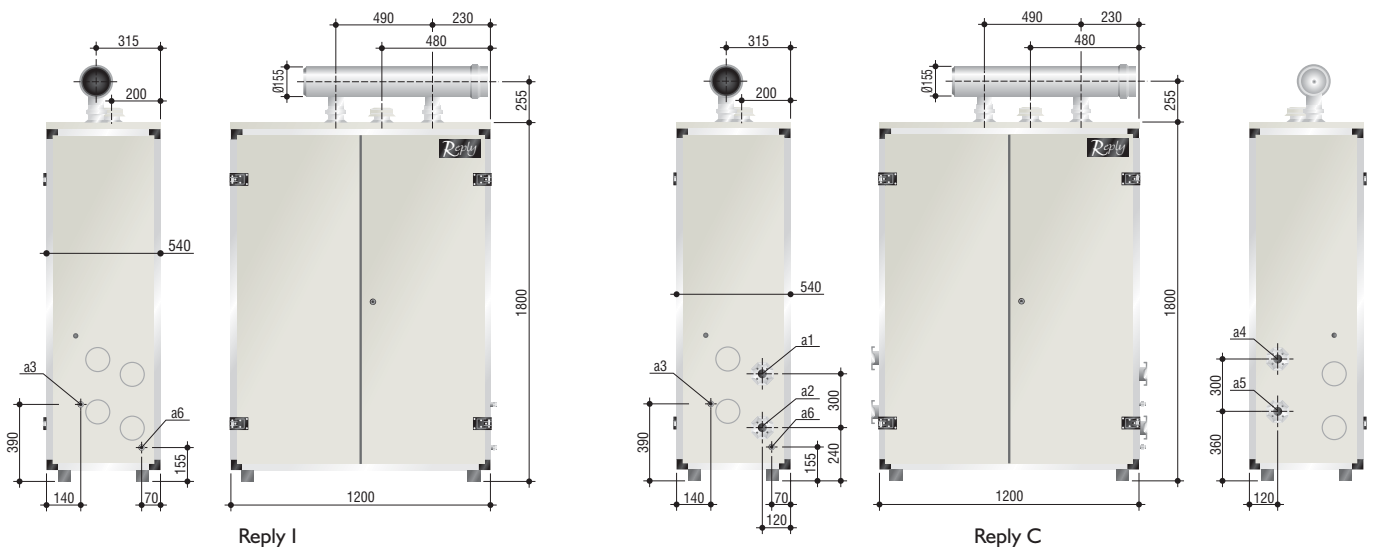
- Easy installation thanks to complete supply.
- Maintenance is made simple thanks to easy accessibility to internal components.

### Optional accessories

- For the accessories suitable for REPLY heating module, see page 85.
- Discharge kits of the heating module are on demand.

### Certification

- REPLY heating modules are EC type approved.



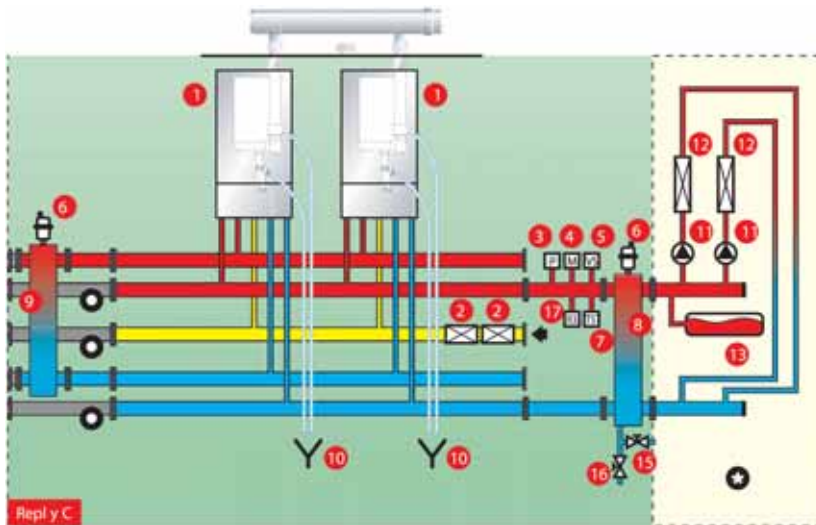
module type	furnace power		useful efficiency		Maximum pressure bar	power voltage V/Hz	Heating delivery DN a1	Heating return DN a2	gas conn. Ø a3	boiler delivery DN a4	boiler return DN a5	Cold water inlet Ø a6	Weight Kg
	kW	kcal/h	a 50/30°C 100%	a 80/60°C 30%									
<b>REPLY 49 C</b>	8,8÷ 50	7.568÷ 43.000	103,7	106,2	3	230/50	50	50	1 1/4"	50	50	3/4"	273

module code	Fuel	module type	50/30°C useful power		80/60°C useful power	
			kW	kcal/h	kW	kcal/h
00903471	natural gas	<b>REPLY 49 C</b>	9,33÷ 51,5	8.022÷ 44.290	8,98÷ 49	7.719÷ 42.140

## Pre-mixed condensation gas heating modules



- **REPLY C:** heating module for hot water heating and supply, complete with all the I.S.P.E.S. devices and flue discharge header (Ø 150).



\* installer's responsibility - • Accessories on demand

- |   |  |  |
|---|--|--|
| 1 Futuria MC (Reply C) boiler   | 6 Air bleed automatic valve.   | 12 Radiators (optional).   |
| 2 Fuel on-off valve, calibrated at 98° and I.S.P.E.S.L. type-approved.  | 7 Manual resetting regulation and safety double-thermostat (I.S.P.E.S.L. type-approved). | 13 Expansion tank (optional).  |
| 3 Manual resetting safety pressure switch (I.S.P.E.S.L. type-approved). | 8 Heating circuit header.  | 14 Boiler (optional).  |
| 4 I.S.P.E.S.L. type-approved gauge.                                     | 9 Sanitary circuit header/manifold   | 15 Filling cock (optional).  |
| 5 Ø 1/2" safety valve, calibrated according to I.S.P.E.S.L. standards.  | 10 Condensation discharge.   | 16 Drain cock.   |
|   | 11 Circulators (optional).   | 17 Three-way cock with sample flange, in compliance with I.S.P.E.S.L. standards. |



## REPLY N

- Ultra-high efficiency condensation heating module
- Single-furnace (REPLY N 50) or double-furnace (REPLY N 70 and REPLY N 100) with ultra-high heat exchange **aluminium lamellar exchangers**.
- Flame injection pre-mixed ceramic burner.
- Ideal for low temperature system operation.
- Ideal for outdoor installation, even for uncovered places.
- Variable opening pneumatic gas valves.
- Microprocessor electronic card suitable for connection to the cascade control board and possible external probe.
- Variable speed fans.
- Ionization flame control electronic ignition.
- Electronically controlled continuous modulation with steady air/gas ratio.
- Natural gas or G.P.L. operation.
- Utility interface display for each module assembled on the machine.
- Instruments for unit control and regulation.
- Independent exchanger water circuits, being connected to the relevant delivery and return headers.
- Primary unit circulators.
- Check valve.
- Condensation discharge on disposal circuit complete with siphon.
- Silked stainless steel AISI 316 containment module structure, reduced in size.
- G.P.L. kit supplied with the boiler.
- Class: NOx = 5.
- IP X4D protection degree.



### Installation and Maintenance

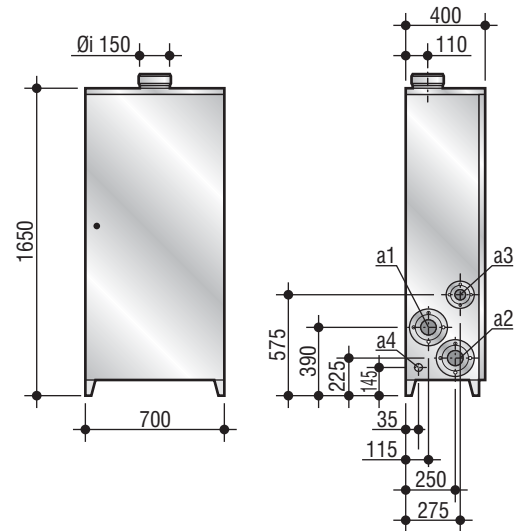
- Series of modules being cascade connected can be managed and easily assembled. The machine electronic unit is arranged for the connection of the control room to the cascade control and management microprocessor.
- The delivery and return headers for system water delivery and return and gas adduzione are fitted to the machine; they are flanged in order to allow easy installation, being complete with blind flanges and connection system.
- Maintenance is made simple thanks to easy accessibility to internal components.

### Optional accessories

- For the accessories suitable for REPLY N heating module, see page 85.

### Certification

- REPLY N heating modules are EC type approved.



module type	furnace power		useful efficiency			Maximum pressure bar	power voltage V/Hz	Heating delivery DN a1	Heating return DN a2	gas conn. DN a3	condensation discharge Ø a4	Weight Kg
	kW	kcal/h	a 50/30°C 100%	a 80/60°C 30%	a 80/60°C 100%							
REPLY N 50	13,8+ 46	11.868+ 39.560	105,3	109	98,2	6	230/50	80	80	50	40	114
REPLY N 70	13,8+ 70	11.868+ 60.200	105,3	109	98,2	6	230/50	80	80	50	40	165
REPLY N 100	13,8+ 92	11.868+ 79.120	105,3	109	98,2	6	230/50	80	80	50	40	165

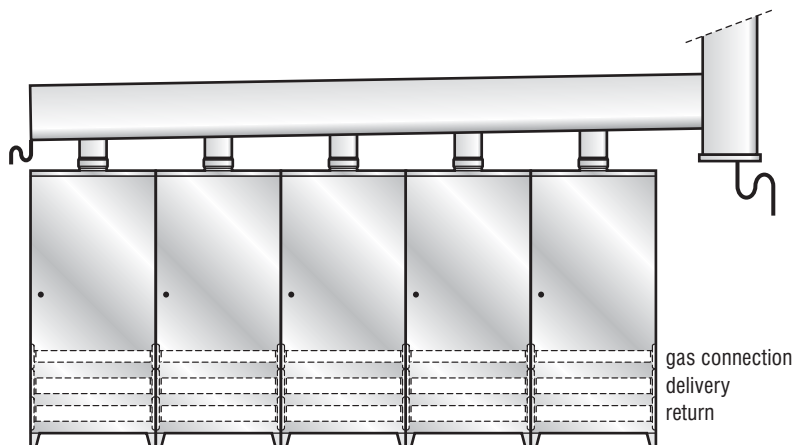
module code	Fuel	module type	50/30°C useful power		80/60°C useful power	
			kW	kcal/h	kW	kcal/h
00906210	nat. gas/LPG	REPLY N 50	14,4+ 48,4	12.384+ 41.624	13,6+ 45,2	11.696+ 38.872
00906220	nat. gas/LPG	REPLY N 70	14,4+ 73,7	12.384+ 63.382	13,6+ 68,7	11.696+ 59.082
00906230	nat. gas/LPG	REPLY N 100	14,4+ 96,8	12.384+ 83.248	13,6+ 90,4	11.696+ 77.744

## Pre-mixed condensation gas heating modules



### • Cascade connection

- REPLY N is a heating module intended for single or cascade operation. Two or more REPLY modules can be cascade connected (5 heating modules at maximum), as shown in the figure below.



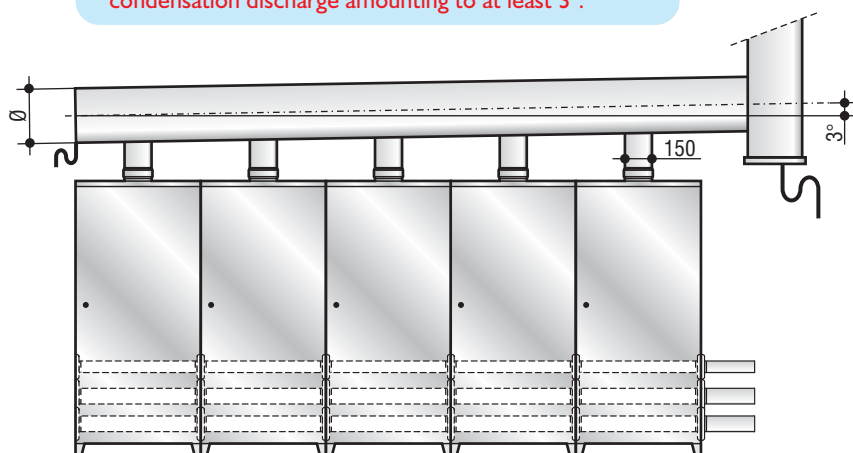
A cascade control room is available on demand, allowing advanced management of the two shells inside the boiler. Each control room is capable of controlling a **maximum of 5 furnaces**. As a consequence the number of control rooms being necessary for such operation changes depending on the number of REPLY N modules connected (see table on your right).

Reply N modules n°	necessary control rooms n°
2	1
3	2
4	2
5	2
6	3
-	-
-	-

### • Flue

- For cascade connection of more than one module, connect the flue outlet ( $\varnothing$  150) of each single module as shown in the figure, making sure that the header and flue diameter values correspond to those reported in the table below.

**Warning:** The header shall feature a slope towards the condensation discharge amounting to at least 3°.



Reply N modules n°	Header/flue $\varnothing$ mm
1	150
2	200
3	250
4	300
5	350



## • “ultra low emission” XILO LN

- Proof boiler suitable for hot sanitary water heating and supply.
- Low NOx emission water cooling burner, in stainless steel for all kinds of gas.
- Reduced overall dimensions (-20% if compared to the standard boilers).
- High-efficiency primary copper exchanger.
- Instantaneous exchanger for plate hot sanitary water.
- Ionization flame control electronic ignition.
- Electronically controlled proportional modulation for sanitary and heating circuits.
- Proof combustion circuit with flue discharge electrical fan.
- By-pass.
- High-prevalence circulator.
- 8 Lt. expansion tank.
- Three-way electrical diverting valve.
- Slow opening gas valve.
- Combustion chamber provided with ceramic fibre insulation.
- Instruments for unit control and regulation.
- Flue standard intake in the boiler (mod. MCS).
- Precedence flow meter.
- Class: NOx = 5.
- IP X4D protection degree.



### • Installation and Maintenance

- Easy installation thanks to template connections and water connection kits (on demand).
- Maintenance is made simple thanks to easy accessibility to internal components.

### • Optional accessories

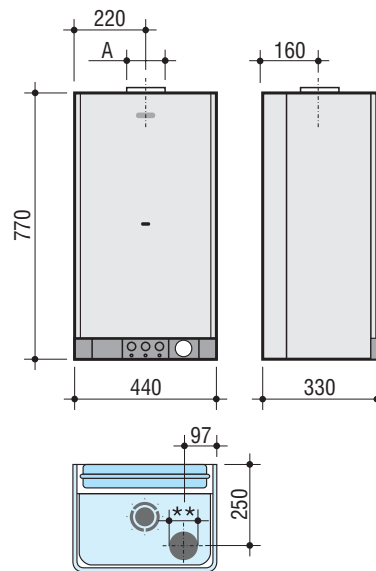
- For accessories suitable for XILO LN boiler, see page 85.
- Flue inlet/outlet kits are not included in the supply. See accessories on demand on page 85.

### • Certification

- XILO LN boilers are EC type approved.



Water cooling burner



boiler type	furnace power		useful efficiency %		Maximum pressure bar		power voltage V/Hz	hot sanitary water supply ΔT 30°C l/min.	A Ø mm	Weight kg
	kW	kcal/h	100 %	30 %	risc.	sanit.				
<b>XILO LN 20 MCS W TOP/IT</b>	25	21.500	93,9	92,5	3	8	230/50	2,5÷ 11,2	*	43

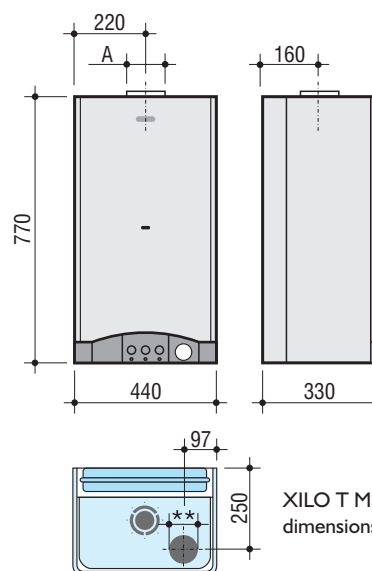
\* Flue connections: concentric or split discharge

boiler code	fuel	boiler type	useful power	
			kW	kcal/h
00903450	natural gas	<b>XILO LN 20 MCS W TOP/IT</b>	12,9÷ 23,4	11.094+ 20.124
00903460	LPG	<b>XILO LN 20 MCS W TOP/IT</b>	12,9÷ 23,4	11.094+ 20.124



## • XILO T

- Open (mod. M) and proof chamber (mod. MS) boilers suitable for heating.
- Suitable for low temperature system operation.
- Reduced overall dimensions (-20% if compared to the standard boilers).
- High-efficiency primary copper exchanger.
- Atmospheric burner, in stainless steel for all kinds of gas.
- Ionization flame control electronic ignition.
- Electronically controlled proportional modulation for heating circuit.
- Proof combustion circuit with flue discharge electrical fan (mod. MS).
- Safety FLUE CONTROL preventing burnt gases from entering the room (mod. M).
- High-prevalence circulator.
- 8 Lt. expansion tank.
- Slow opening gas valve.
- Combustion chamber provided with ceramic fibre insulation.
- Instruments for unit control and regulation.
- Flue standard intake in the boiler (mod. MCS).
- IP X4D protection degree.
- XILO T 24 boilers can be combined with PAC B boilers.



### • Installation and Maintenance

- Easy installation thanks to template connections and water connection kits (on demand).
- Maintenance is made simple thanks to easy accessibility to internal components.

### • Optional accessories

- For accessories suitable for XILO T boiler, see page 85.
- Flue inlet/outlet kits are not included in the supply. See accessories on demand on page 85.

### • Certification

- XILO T boilers are EC type approved.

boiler type	furnace power		useful efficiency %		Maximum heating circuit pressure bar	power voltage V/Hz	A Ø mm	Weight kg
	kW	kcal/h	100 %	30 %				
<b>XILO T 20 M W TOP U/IT</b>	26	22.360	91	88,7	3	230/50	132,5	33
<b>XILO T 20 MS W TOP U/IT</b>	26	22.360	91,3	89	3	230/50	*	35
<b>XILO T 24 M W TOP U/IT</b>	30,2	25.972	91,2	90	3	230/50	152,5	34
<b>XILO T 24 MS W TOP U/IT</b>	30,2	25.972	91	88,9	3	230/50	*	36

\* Flue connections: concentric or split discharge

boiler code	Fuel	boiler type	Useful power	
			kW	kcal/h
00903121	natural gas	<b>XILO T 20 M W TOP U/IT</b>	10,62+ 23,66	9.133+ 20.348
00903131	LPG	<b>XILO T 20 M W TOP U/IT</b>	10,62+ 23,66	9.133+ 20.348
00903002	natural gas	<b>XILO T 20 MS W TOP U/IT</b>	10,47+ 23,73	9.004+ 20.407
00903012	LPG	<b>XILO T 20 MS W TOP U/IT</b>	10,47+ 23,73	9.004+ 20.047
00903141	natural gas	<b>XILO T 24 M W TOP U/IT</b>	12,56+ 27,54	10.804+ 23.686
00903151	LPG	<b>XILO T 24 M W TOP U/IT</b>	12,56+ 27,54	10.804+ 23.686
00903161	natural gas	<b>XILO T 24 MS W TOP U/IT</b>	11,94+ 27,48	10.268+ 23.633
00903171	LPG	<b>XILO T 24 MS W TOP U/IT</b>	11,94+ 27,48	10.268+ 23.633





## • “bithermal compact” XILO

- Open (mod. MC) and proof chamber (mod. MCS) boilers suitable for hot sanitary water heating and supply.
- Suitable for low temperature system operation.
- Reduced overall dimensions (-20% if compared to the standard boilers).
- High-efficiency bi-thermal copper exchanger.
- Atmospheric burner, in stainless steel for all kinds of gas.
- Ionization flame control electronic ignition.
- Electronically controlled proportional modulation for heating and sanitary circuit.
- Proof combustion circuit with flue discharge electrical fan (mod. MCS).
- Safety FLUE CONTROL preventing burnt gases from entering the room (mod. MC).
- Slow opening gas valve.
- Combustion chamber provided with ceramic fibre insulation.
- High-prevalence circulator.
- 8 Lt. expansion tank.
- Instruments for unit control and regulation.
- Flue standard intake in the boiler (mod. MCS).
- Precedence flow meter.
- IP X4D protection degree.



### • Installation and Maintenance

- Easy installation thanks to template connections and water connection kits (on demand).
- Maintenance is made simple thanks to easy accessibility to internal components.

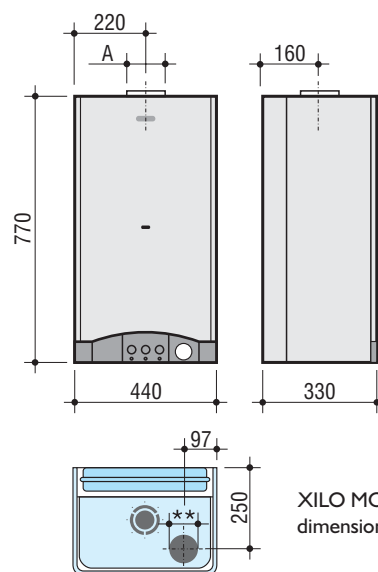
### • Optional accessories

- For accessories suitable for XILO boiler, see page 85.
- Flue inlet/outlet kits are not included in the supply. See accessories on demand on page 85.
- Polyphosphate doser of the DPO/B type.

### • Certification

- XILO boilers are EC type approved.

- In the presence of hard water it is recommended to assemble a polyphosphate proportional doser at the boiler cold water inlet.



boiler type	furnace power		useful efficiency %		Maximum pressure bar		power voltage V/Hz	hot sanitary water supply $\Delta T$ 30°C l/min.	A $\varnothing$ mm	Weight kg
	kW	kcal/h	100 %	30 %	risc.	sanit.				
<b>XILO 20 MC W TOP U/IT</b>	25	21.500	90	87,3	3	8	230/50	2,5+ 10,8	132,5	38
<b>XILO 20 MCS W TOP U/IT</b>	25	21.500	91	87,3	3	8	230/50	2,5+ 11	*	40

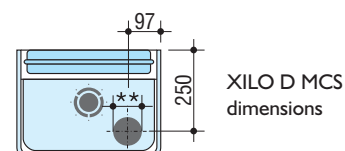
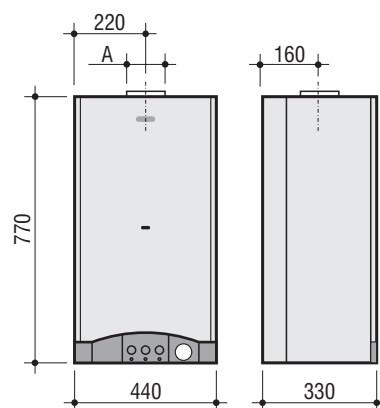
\* Flue connections: concentric or split discharge

boiler code	Fuel	boiler type	Useful power	
			kW	kcal/h
00902951	natural gas	<b>XILO 20 MC W TOP U/IT</b>	8,45+ 22,5	7.267+ 19.350
00902961	LPG	<b>XILO 20 MC W TOP U/IT</b>	8,45+ 22,5	7.267+ 19.350
00902604	natural gas	<b>XILO 20 MCS W TOP U/IT</b>	8,31+ 22,75	7.146+ 19.565
00902904	LPG	<b>XILO 20 MCS W TOP U/IT</b>	8,31+ 22,75	7.146+ 19.565



## • “monothermal compact” XILO D

- Open (mod. MC) and proof chamber (mod. MCS) boilers suitable for hot sanitary water heating and supply.
- Suitable for low temperature system operation.
- Reduced overall dimensions (-20% if compared to the standard boilers).
- High-efficiency primary copper exchanger.
- Instantaneous exchanger for plate hot sanitary water.
- Atmospheric burner, in stainless steel for all kinds of gas.
- Ionization flame control electronic ignition.
- Electronically controlled proportional modulation for heating and sanitary circuit.
- Proof combustion circuit with flue discharge electrical fan (mod. MCS).
- Safety FLUE CONTROL preventing burnt gases from entering the room (mod. MC).
- By-pass.
- High-prevalence circulator.
- 8 Lt. expansion tank.
- Three-way electrical diverting valve.
- Slow opening gas valve.
- Combustion chamber provided with ceramic fibre insulation.
- Instruments for unit control and regulation.
- Flue standard intake in the boiler (mod. MCS).
- Precedence flow meter.
- IP X4D protection degree.



### • Installation and Maintenance

- Easy installation thanks to template connections and water connection kits (on demand).
- Maintenance is made simple thanks to easy accessibility to internal components.

### • Optional accessories

- For accessories suitable for XILO D boiler, see page 85.
- Flue inlet/outlet kits are not included in the supply. See accessories on demand on page 85.

### • Certification

- XILO D boilers are EC type approved.

boiler type	furnace power		useful efficiency %		Maximum pressure bar		power voltage V/Hz	hot sanitary water supply $\Delta T 30^{\circ}C$ l/min.	A $\varnothing$ mm	Weight kg
	kW	kcal/h	100 %	30 %	risc.	sanit.				
<b>XILO D 20 MC W TOP U/IT</b>	26	22.360	91	88,7	3	8	230/50	2,5+ 11,3	132,5	39
<b>XILO D 20 MCS W TOP U/IT</b>	26	22.360	91,3	89	3	8	230/50	2,5+ 11,3	*	41
<b>XILO D 24 MC W TOP U/IT</b>	30,2	25.972	91,2	90	3	8	230/50	2,5+ 13,2	152,5	40
<b>XILO D 24 MCS W TOP U/IT</b>	30,2	25.972	91	88,9	3	8	230/50	2,5+ 13,1	*	42

\* Flue connections: concentric or split discharge

boiler code	Fuel	boiler type	Useful power	
			kW	kcal/h
00902911	natural gas	<b>XILO D 20 MC W TOP U/IT</b>	10,62+ 23,66	9.133+ 20.348
00902921	LPG	<b>XILO D 20 MC W TOP U/IT</b>	10,62+ 23,66	9.133+ 20.348
00902862	natural gas	<b>XILO D 20 MCS W TOP U/IT</b>	10,47+ 23,73	9.004+ 20.047
00902872	LPG	<b>XILO D 20 MCS W TOP U/IT</b>	10,47+ 23,73	9.004+ 20.047
00902931	natural gas	<b>XILO D 24 MC W TOP U/IT</b>	12,56+ 27,54	10.804+ 23.686
00902941	LPG	<b>XILO D 24 MC W TOP U/IT</b>	12,56+ 27,54	10.804+ 23.686
00902882	natural gas	<b>XILO D 24 MCS W TOP U/IT</b>	11,94+ 27,48	10.268+ 23.633
00902882	LPG	<b>XILO D 24 MCS W TOP U/IT</b>	11,94+ 27,48	10.268+ 23.633



## • “wall-hung boiler” VELA XN

- High-efficiency open (mod. MB) and proof chamber (mod. MBS) boilers suitable for hot sanitary water heating and supply.
- 60 Lt. storage unit stainless steel boiler.
- Copper exchanger.
- Atmospheric burner, in stainless steel for all kinds of gas.
- Combustion chamber provided with ceramic fibre insulation.
- Ionization flame control electronic ignition.
- Electronically controlled proportional modulation for heating and sanitary circuit.
- Suitable for low temperature system operation.
- Proof combustion circuit with flue discharge electrical fan (mod. MBS).
- Safety FLUE CONTROL preventing burnt gases from entering the room (mod. MB).
- Slow opening gas valve.
- 8 Lt. expansion tank.
- 2 Lt. sanitary circuit expansion tank.
- High-prevalence circulator.
- Three-way electrical valve.
- Instruments for unit control and regulation.
- Flue standard intake in the boiler (mod. MBS).
- “antilegionella” function.
- By-pass.
- IP X4D protection degree.



### • Installation and Maintenance

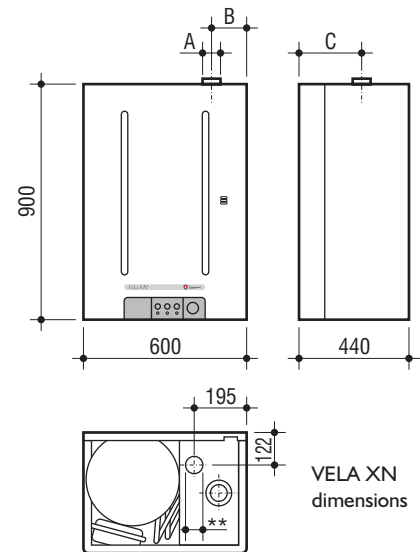
- Easy installation thanks to template connections and water connection kits (on demand).
- Maintenance is made simple thanks to easy accessibility to internal components.

### • Optional accessories

- For accessories suitable for VELA XN boiler; see page 85.
- Flue inlet/outlet kits are not included in the supply. See accessories on demand on page 85.

### • Certification

- VELA XN boilers are EC type approved.



boiler type	furnace power		useful efficiency %		Maximum pressure bar		power voltage V/Hz	hot sanitary water supply l/min	A Ø mm.	B mm.	C mm.	Weight Kg
	kW	kcal/h	100%	30%	risc.	sanit.						
<b>VELA XN 24 MB W TOP/IT</b>	26	22.360	90	86,8	3	8	230/50	11,2	132,5	130	220	64
<b>VELA XN 24 MBS W TOP/IT</b>	26	22.360	92	88,7	3	8	230/50	11,4	*	94,5	222	69

\* Flue connections: concentric or split discharge - \*\* Air suction Ø80.

boiler code	Fuel	boiler type	Useful power	
			kW	kcal/h
00906240	natural gas	<b>VELA XN 24 MB W TOP/IT</b>	10,43÷ 23,4	8.970÷ 20.124
00906500	LPG	<b>VELA XN 24 MB W TOP/IT</b>	10,43÷ 23,4	8.970÷ 20.124
00906250	natural gas	<b>VELA XN 24 MBS W TOP/IT</b>	10,5÷ 23,92	9.030÷ 20.571
00906510	LPG	<b>VELA XN 24 MBS W TOP/IT</b>	10,5÷ 23,92	9.030÷ 20.571



## • “wall-hung boiler” ALMA

- High-efficiency open (mod. MB) and proof chamber (mod. MBS) boilers suitable for hot sanitary water heating and supply.
- 50 Lt. storage unit stainless steel boiler.
- Copper exchanger.
- Atmospheric burner, in stainless steel for all kinds of gas.
- Combustion chamber provided with ceramic fibre insulation.
- Ionization flame control electronic ignition.
- Electronically controlled proportional modulation for heating and sanitary circuit.
- Suitable for low temperature system operation.
- Proof combustion circuit with flue discharge electrical fan (mod. MBS).
- Safety FLUE CONTROL preventing burnt gases from entering the room (mod. MB).
- Slow opening gas valve.
- 8 Lt. heating unit expansion tank.
- 2 Lt. sanitary circuit expansion tank.
- High-prevalence circulator.
- Three-way electrical valve.
- Electronic control panel.
- Heating and sanitary temperature regulation.
- Flue standard intake in the boiler (mod. MBS).
- Defect display.
- Anti-freeze function.
- Post circulation function.
- “antilegionella” function.
- By-pass.
- IP X4D protection degree.
- A digital time and date clock can be fitted.

### • Installation and Maintenance

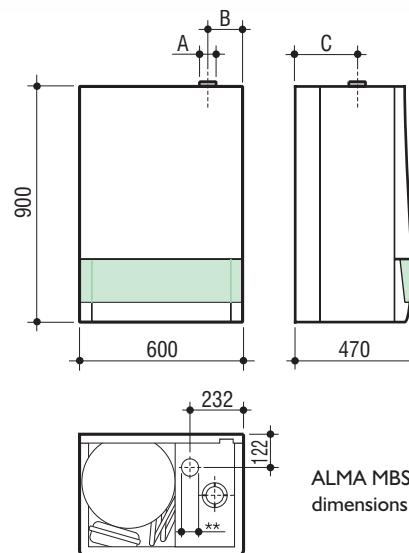
- Easy installation thanks to template connections and water connection kits (on demand).
- Maintenance is made simple thanks to easy accessibility to internal components.

### • Optional accessories

- For accessories suitable for ALMA boiler, see page 85.
- Flue inlet/outlet kits are not included in the supply. See accessories on demand on page 85.

### • Certification

- ALMA boilers are EC type approved.



Attacchi: vedi dima a pag. 79.

boiler type	furnace power		useful efficiency		Max. pressure bar		power voltage V/Hz	hot sanitary water supply l/min.	A Ø mm	B mm	C mm	Weight kg
	kW	kcal/h	100 %	30 %	risc.	sanit.						
ALMA 24 MB W TOP/IT	26	22.360	90	86,8	3	8	230/50	11,2	132,5	173	222	70
ALMA 24 MBS W TOP/IT	26	22.360	92	88,7	3	8	230/50	11,4	*	132	222	75
ALMA 28 MB W TOP/IT	30,2	25.972	90,2	86,9	3	8	230/50	13	152,5	173	222	70
ALMA 28 MBS W TOP/IT	30,45	26.187	91,2	88,9	3	8	230/50	13,3	*	132	222	75
ALMA 32 MBS W TOP/IT	34,5	29.670	92,5	88,9	3	8	230/50	15,2	*	132	222	75

\* Flue connections: concentric or split discharge - \*\* Air suction Ø80.

boiler code	Fuel	boiler type	Useful power	
			kW	kcal/h
00905330	natural gas	ALMA 24 MB W TOP/IT	10,43÷ 23,4	8.970÷ 20.124
00905340	LPG	ALMA 24 MB W TOP/IT	10,43÷ 23,4	8.970÷ 20.124
00905310	natural gas	ALMA 24 MBS W TOP/IT	10,5÷ 23,92	9.030÷ 20.571
00905320	LPG	ALMA 24 MBS W TOP/IT	10,5÷ 23,92	9.030÷ 20.571
00905370	natural gas	ALMA 28 MB W TOP/IT	12,2÷ 27,24	10.492÷ 23.426
00905380	LPG	ALMA 28 MB W TOP/IT	12,2÷ 27,24	10.492÷ 23.426
00905350	natural gas	ALMA 28 MBS W TOP/IT	12,16÷ 27,8	10.458÷ 23.908
00905360	LPG	ALMA 28 MBS W TOP/IT	12,16÷ 27,8	10.458÷ 23.908
00908140	natural gas	ALMA 32 MBS W TOP/IT	14÷ 31,9	12.040÷ 27.434
00908150	LPG	ALMA 32 MBS W TOP/IT	14÷ 31,9	12.040÷ 27.434





# Indoor floor-standing gas boilers



## ● “cast iron basement” ERA F

- High-efficiency open chamber boilers suitable for heating.
- Cast iron shell with transversal arranged components.
- Atmospheric burner, in stainless steel for all kinds of gas.
- Intermittent pilot electronic ignition with ionization flame control.
- Instruments for unit control and regulation.
- Aluminate built-in antirefouleur.
- Safety FLUE CONTROL preventing burnt gases from entering the room (mod. MB).
- Slow opening gas valve.
- High-prevalence circulator (mod. PK).
- 10 Lt. expansion tank (mod. PK).
- Safety valve (mod. PK).
- Air bleed automatic valve (mod. PK).
- Filling cock (mod. PK).
- Boiler outlet cock.
- ERA F boilers can be combined with PAC B boilers



### ● Installation and Maintenance

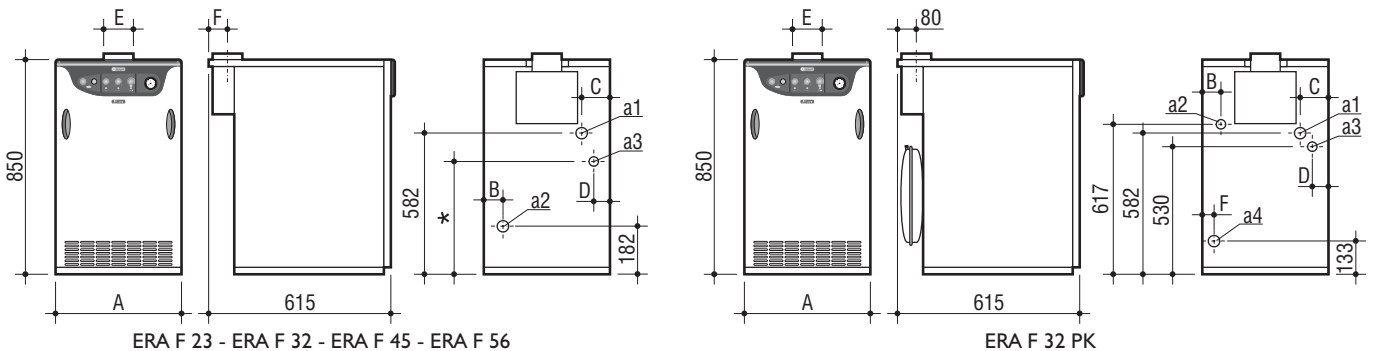
- Maintenance is made simple thanks to easy accessibility to internal components (front door).

### ● Optional accessories

- For accessories suitable for ERA F boiler, see page 85.

### ● Certification

- ERA F boilers are EC type approved.



\* = 480 mm (ERA F 23 - ERA F 45 - ERA F 56) - 530 mm (ERA F 32)

boiler type	furnace power		useful efficiency		Maximum pressure bar	power voltage V/Hz	A mm.	B mm.	C mm.	D mm.	E mm.	F mm.	Heating delivery Ø a1	Heating return Ø a2	gas conn. Ø a3	Cold water inlet Ø a4	Weight kg
	kW	kcal/h	100 %	30 %													
<b>ERA F 23</b>	10,1÷ 25,3	8.686÷ 21.758	90,9	92	4	230/50	450	137	134	65	130	70	3/4"	3/4"	1/2"	-	139
<b>ERA F 32</b>	14,9÷ 34,9	12.814÷ 30.014	91,7	92,5	4	230/50	450	94	91	22	150	80	3/4"	3/4"	1/2"	-	165
<b>ERA F 45</b>	19,7÷ 49,5	16.942÷ 42.570	90,9	92,1	4	230/50	600	126	123	86	150	80	3/4"	3/4"	1/2"	-	190
<b>ERA F 56</b>	24,5÷ 61,6	21.070÷ 52.976	90,9	92,1	4	230/50	600	83	80	40	180	95	3/4"	3/4"	1/2"	-	216
model equipped with circulator and expansion tank																	
<b>ERA F 32 PK</b>	14,9÷ 34,9	12.814÷ 30.014	91,7	92,5	4	230/50	450	94	91	22	150	33	3/4"	3/4"	1/2"	1/2"	175

boiler code	boiler type	Useful power	
		kW	kcal/h
00906260	<b>ERA F 23</b>	8,8÷ 23	7.568÷ 19.780
00906270	<b>ERA F 32</b>	13÷ 32	11.180÷ 27.520
00906280	<b>ERA F 45</b>	17,2÷ 45	14.792÷ 38.700
00906290	<b>ERA F 56</b>	21,6÷ 56	18.576÷ 48.160
model equipped with circulator and expansion tank			
00906300	<b>ERA F 32 PK</b>	13÷ 32	11.180÷ 27.520



## ● “cast iron, proof” ERA F S

- High-efficiency proof boilers only suitable for heating.
- Cast iron shell with transversal arranged components.
- Stainless steel atmospheric burner for all kinds of gas.
- Intermittent pilot electronic ignition with ionization flame control.
- Instruments for unit control and regulation.
- Proof combustion unit with flue exhaust electrical fan.
- Slow opening gas valve.
- High-prevalence circulator (mod. PK).
- 10 Lt. expansion tank (mod. PK).
- Safety valve (mod. PK).
- Air bleed automatic valve (mod. PK).
- Filling cock (mod. PK).
- Boiler outlet cock.
- ERA F S boilers can be combined with PAC B boilers



### ● Installation and Maintenance

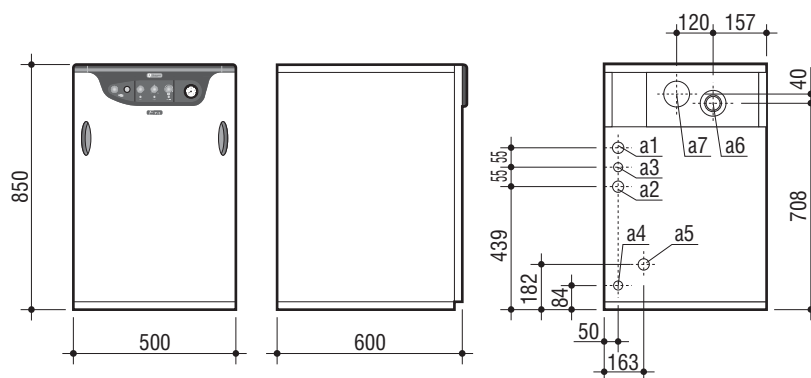
- Maintenance is made simple thanks to easy accessibility to internal components (front door).

### ● Optional accessories

- For accessories suitable for ERA F S boiler, see page 85.
- Flue suction/exhaust kits are not included in the supply

### ● Certification

- ERA F S boilers are EC type approved.



boiler type	furnace power		useful efficiency %		Heating max. pressure bar	power voltage V/Hz	Heating delivery Ø a1	Heating return Ø a2	gas conn. Ø a3	Cold water inlet Ø a4	boiler return Ø a5	Flue exhaust Ø a6	Air suction Ø a7	Weight kg
	kW	kcal/h	100 %	30 %										
<b>ERA F 32 S</b>	15,9÷ 34,9	13.674÷ 30.014	91,7	90,5	4	230/50	3/4"	3/4"	1/2"	-	-	*	80	170
model equipped with circulator and expansion tank														
<b>ERA F 32 S PK</b>	15,9÷ 34,9	13.674÷ 30.014	91,7	90,5	4	230/50	3/4"	3/4"	1/2"	1/2"	1"	*	80	180

\* Flue connections: concentric or split discharge

boiler code	boiler type	Useful power	
		kW	kcal/h
00906310	<b>ERA F 32 S*</b>	11÷ 32	9.460÷ 27.520
model equipped with circulator and expansion tank			
00903500	<b>ERA F 32 S PK*</b>	11÷ 32	9.460÷ 27.520



# Indoor floor-standing gas boilers



## ● “cast iron boiler” ERA F 60

- High-efficiency open chamber (mod. B) and proof (mod. BS) boilers suitable for hot sanitary water heating and supply.
- Stainless steel boiler, covered with 55 Lt. high-density polystyrene coating.
- Cast iron shell with transversal arranged components.
- Stainless steel atmospheric burner for all kinds of gas.
- Instruments for unit control and regulation.
- Intermittent pilot electronic ignition with ionization flame control.
- Flue exhaust electrical fan (mod. BS).
- Safety FLUE CONTROL preventing burnt gases from entering the room (mod. B).
- Slow opening gas valve.
- Heating circuit high-prevalence circulator.
- Heating circuit 10 Lt. expansion tank.
- Sanitary circuit 2 Lt. expansion tank.
- Safety valve.
- Air bleed automatic valve.
- Filling cock.
- Boiler outlet cock.



### ● Installation and Maintenance

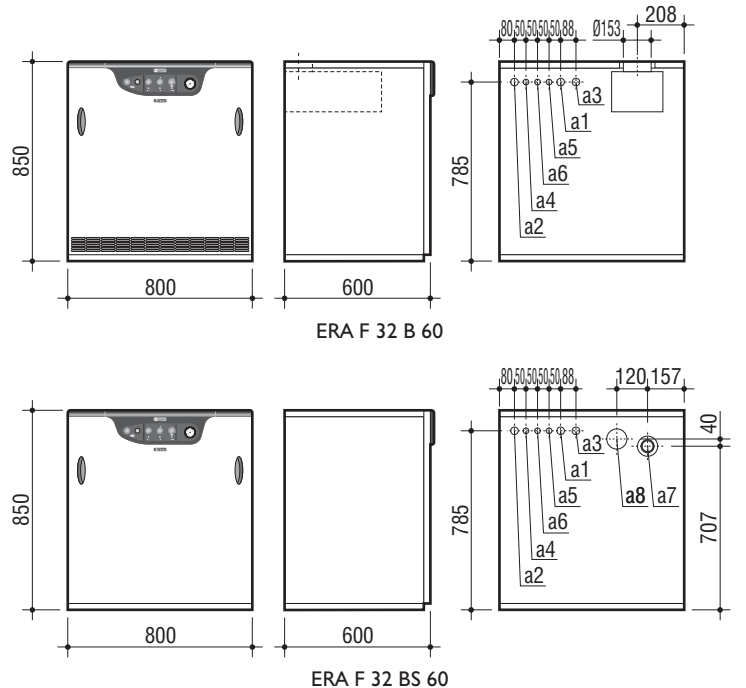
- Maintenance is made simple thanks to easy accessibility to internal components (front door).

### ● Optional accessories

- For accessories suitable for ERA F 60 boiler, see page 85.
- Flue suction/exhaust kits are not included in the supply

### ● Certification

- ERA F 60 boilers are EC type approved.



boiler type	furnace power		useful efficiency %		Maximum pressure bar		power voltage V/Hz	hot sanitary water supply $\Delta T$ 30°C l/h	Heating delivery/return	gas conn.	Cold water inlet/Ricirc.			Flue exhaust	Air suction	Weight kg
	kW	kcal/h	100 %	30 %	risc. sanit.	Ø a1/Ø a2					Ø a3	Ø a4/Ø a5	Ø a6			
<b>ERA F 32 B 60</b>	14,9÷ 34,9	12.814÷ 30.014	91,7	92,5	4	7	230/50	800	3/4"	1/2"	1/2"	1/2"	-	-	179	
Proof model																
<b>ERA F 32 BS 60</b>	15,9÷ 34,9	13.674÷ 30.014	91,7	90,5	4	7	230/50	800	3/4"	1/2"	1/2"	1/2"	*	80	175	

\* Flue connections: concentric or split discharge

boiler code	boiler type	Useful power	
		kW	kcal/h
00906320	<b>ERA F 32 B 60*</b>	13÷ 32	11.180÷ 27.520
Proof model			
00906330	<b>ERA F 32 BS 60*</b>	14÷ 32	12.040÷ 27.520



## ● “cast iron boiler” ERA F 90

- High-efficiency open chamber (mod. B) and proof (mod. BS) boilers suitable for hot sanitary water heating and supply.
- Stainless steel boiler, covered with 90 Lt. high-density polystyrene coating.
- Suitable for managing another high-temperature zone.
- Cast iron shell with transversal arranged components.
- Stainless steel atmospheric burner for all kinds of gas.
- Instruments for unit control and regulation.
- Intermittent pilot electronic ignition with ionization flame control.
- Flue exhaust electrical fan (mod. BS).
- Safety FLUE CONTROL preventing burnt gases from entering the room (mod. B).
- Slow opening gas valve.
- Heating circuit high-prevalence circulator.
- Heating circuit 10 Lt. expansion tank.
- Sanitary circuit 2 Lt. expansion tank.
- Safety valve.
- Air bleed automatic valve.
- Filling cock.
- Boiler outlet cock.



### ● Installation and Maintenance

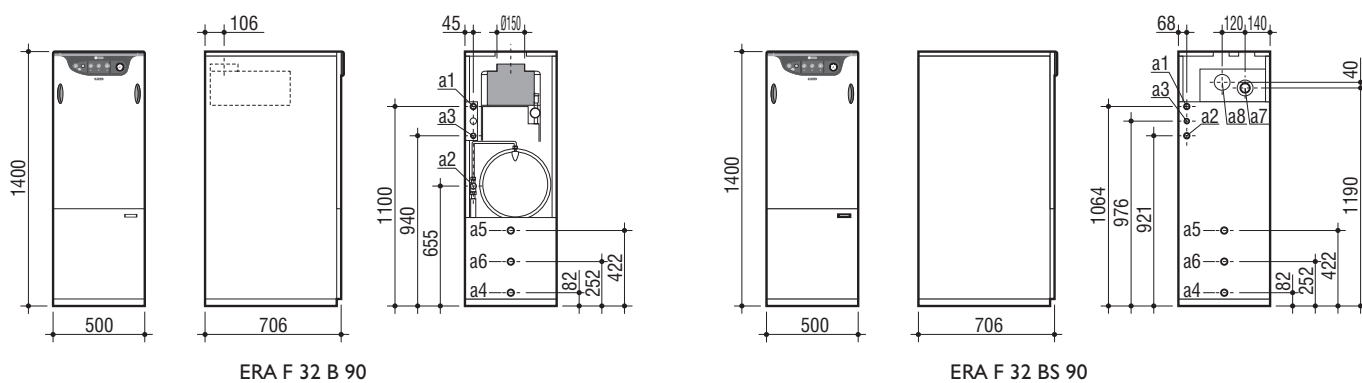
- Maintenance is made simple thanks to easy accessibility to internal components (front door).

### ● Optional accessories

- For accessories suitable for ERA F 90 boiler, see page 85.
- Flue suction/exhaust kits are not included in the supply

### ● Certification

- ERA F 90 boilers are EC type approved.



boiler type	furnace power		useful efficiency %		Maximum pressure bar		power voltage V/Hz	hot sanitary water supply $\Delta T$ 30°C l/h	Heating delivery		gas conn.	Cold water inlet Hot water outlet tank ricirc.		Flue exhaust	Air suction	Weight kg
	kW	kcal/h	100 %	30 %	risc. sanit.	$\Delta T$ 30°C			$\Delta T$ 30°C	$\Delta T$ 30°C		$\Delta T$ 30°C				
<b>ERA F 32 B 90</b>	14,9÷ 34,9	12.814÷ 30.014	91,7	92,5	4	7	230/50	800	1"	1/2"	3/4"	3/4"	-	-	200	
Proof model																
<b>ERA F 32 BS 90</b>	15,9÷ 34,9	13.674÷ 30.014	91,7	90,5	4	7	230/50	800	1"	1/2"	3/4"	3/4"	*	80	206	

\* Flue connections: concentric or split discharge

boiler code	boiler type	Useful power	
		kW	kcal/h
00906340	<b>ERA F 32 B 90*</b>	13÷ 32	11.180÷ 27.520
Proof model			
00906350	<b>ERA F 32 BS 90*</b>	14÷ 32	12.040÷ 27.520

## Indoor floor-standing gas boilers



### • “two-stage cast iron” GASTER N

- High-efficiency open chamber boilers only suitable for heating.
- Cast iron shell with transversal arranged components.
- Two-stage operation.
- Stainless steel atmospheric burner for all kinds of gas.
- Intermittent pilot electronic ignition with ionization flame control.
- Aluminate built-in antirefouleur.
- Safety FLUE CONTROL preventing burnt gases from entering the room (models 51 and 68).
- Main gas and safety valves.
- Instruments for unit control and regulation.
- Boiler outlet cock.
- Painted plate covering
- Thermal regulation allowed.
- GASTER N boilers can be combined with PAV N boilers



### • Installation and Maintenance

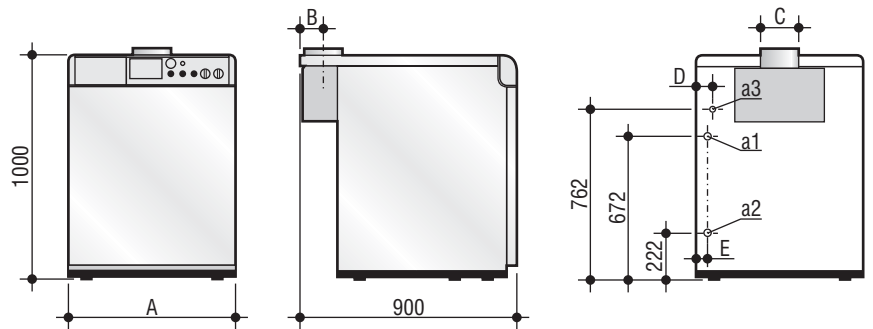
- Two or three on-line arranged boilers featuring the same power can be managed, being controlled by the cascade control board.
- Maintenance is made simple thanks to easy accessibility to internal components (front door).

### • Optional accessories

- For accessories suitable for GASTER N boiler, see page 85.

### • Certification

- GASTER N boilers are EC type approved.



boiler type	first stage furnace power		furnace power		useful efficiency %		Heating max. pressure bar	power voltage V/Hz	A mm.	B mm.	C mm.	D mm.	E mm.	Heating delivery Ø a1	Heating return Ø a2	gas conn. Ø a3	Weight kg
	kW	kcal/h	kW	kcal/h	100 %	30 %											
<b>GASTER N 51 AW</b>	32,7	28.122	56	48.160	91,1	92,3	6	230/50	550	103,5	180	43	35	1 1/2"	1 1/2"	3/4"	214
<b>GASTER N 68 AW</b>	46,6	37.496	74,8	64.328	90,9	92,3	6	230/50	640	103,5	180	46	38	1 1/2"	1 1/2"	3/4"	252
<b>GASTER N 85 AW</b>	54,5	46.870	93,5	80.410	90,9	92,3	6	230/50	720	113,5	200	44	36	1 1/2"	1 1/2"	3/4"	300
<b>GASTER N 102 AW</b>	65,4	56.244	112	96.320	91,1	92,3	6	230/50	800	113,5	200	42	34	1 1/2"	1 1/2"	3/4"	348

boiler code	boiler type	first stage useful power		Useful power	
		kW	kcal/h	kW	kcal/h
00906360	<b>GASTER N 51 AW</b>	30	25.800	51	43.860
00906370	<b>GASTER N 68 AW</b>	39,5	33.970	68	58.480
00099251	<b>GASTER N 85 AW</b>	49,5	42.570	85	73.100
00099261	<b>GASTER N 102 AW</b>	59,5	51.170	102	87.720



## ● “two-stage cast iron” **GASTER N**

- High-efficiency open chamber boilers only suitable for heating.
- Cast iron shell with transversal arranged components.
- Two-stage operation.
- Stainless steel atmospheric burner for all kinds of gas.
- Intermittent pilot electronic ignition with ionization flame control.
- Aluminate built-in antirefouleur.
- Safety FLUE CONTROL preventing burnt gases from entering the room (models 51 and 68).
- Main gas and safety valves.
- Instruments for unit control and regulation.
- Boiler outlet cock.
- Painted plate covering
- Thermal regulation allowed.
- GASTER N boilers can be combined with PAV N boilers



### ● **Installation and Maintenance**

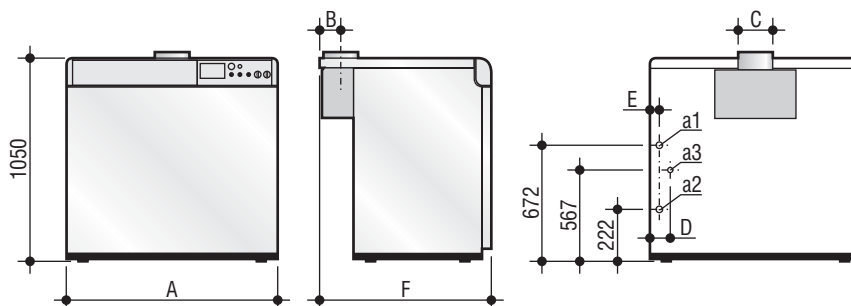
- Two or three on-line arranged boilers featuring the same power can be managed, being controlled by the cascade control board.
- Maintenance is made simple thanks to easy accessibility to internal components (front door).

### ● **Optional accessories**

- For accessories suitable for GASTER N boiler, see page 85.

### ● **Certification**

- GASTER N boilers are EC type approved.



boiler type	first stage furnace power		furnace power		useful efficiency %		Heating max. pressure bar	power voltage V/Hz	A mm.	B mm.	C mm.	D mm.	E mm.	F mm.	Heating delivery Ø a1	Heating return Ø a2	gas conn. Ø a3	Weight kg
	kW	kcal/h	kW	kcal/h	100 %	30 %												
<b>GASTER N 119 AW</b>	77	66.220	131	112.660	91,2	92,3	6	230/50	930	133	220	50	42	1.050	2"	2"	1"	430
<b>GASTER N 136 AW</b>	89	76.540	149	128.140	91,3	92,2	6	230/50	1.020	148	250	53	45	1.050	2"	2"	1"	490
<b>GASTER N 153 AW</b>	100	86.000	168	144.480	91,4	92,2	6	230/50	1.100	148	250	58	43	1.050	2"	2"	1 1/2"	535
<b>GASTER N 170 AW</b>	110	94.600	187	160.820	91,5	92,1	6	230/50	1.190	173	300	60	46	1.050	2"	2"	1 1/2"	575
<b>GASTER N 187 AW</b>	122	104.920	206	177.160	91,6	92,1	6	230/50	1.270	173	300	58	44	1.050	2"	2"	1 1/2"	625
<b>GASTER N 221 AW</b>	144	123.840	243	208.980	91,7	92	6	230/50	1.440	173	300	57	45	1.050	2"	2"	1 1/2"	720
<b>GASTER N 255 AW</b>	166	142.760	280	240.800	91,9	91,9	6	230/50	1.610	198	350	62	46	1.100	2"	2"	1 1/2"	835
<b>GASTER N 289 AW</b>	188	161.680	317	272.620	92	91,7	6	230/50	1.780	198	350	66	49	1.100	2"	2"	1 1/2"	905

boiler code	boiler type	first stage useful power		Useful power	
		kW	kcal/h	kW	kcal/h
00099271	<b>GASTER N 119 AW</b>	71	61.060	119	102.340
00099281	<b>GASTER N 136 AW</b>	82	70.520	136	116.960
00099291	<b>GASTER N 153 AW</b>	92	79.120	153	131.580
00099301	<b>GASTER N 170 AW</b>	102	87.720	170	146.200
00099311	<b>GASTER N 187 AW</b>	112	96.320	187	160.820
00906380	<b>GASTER N 221 AW</b>	133	114.380	221	190.060
00906390	<b>GASTER N 255 AW</b>	153	131.580	255	219.300
00906400	<b>GASTER N 289 AW</b>	173	148.780	289	248.540

# Instantaneous gas water heaters

## SIL

- High-efficiency open chamber (mod. SIL 14 top) and proof (mod. SIL 14S top) water heaters suitable for hot sanitary water supply.
- High-efficiency copper exchanger.
- Electronic ignition with ionization flame control.
- Stainless steel atmospheric burner for all kinds of gas.
- Proof combustion circuit with flue exhaust electrical fan (mod. S).
- Continuous modulation gas valve.
- Safety FLUE CONTROL preventing burnt gases from entering the room (mod. SIL TOP).
- Combustion chamber provided with ceramic fibre insulation (mod. S).
- Instruments for unit control and regulation.
- Sanitary flow meter.
- IP X4D protection degree.



### Installation and Maintenance

- Easy installation of the water heater thanks to template connections.
- Maintenance is made simple thanks to easy accessibility to internal components.

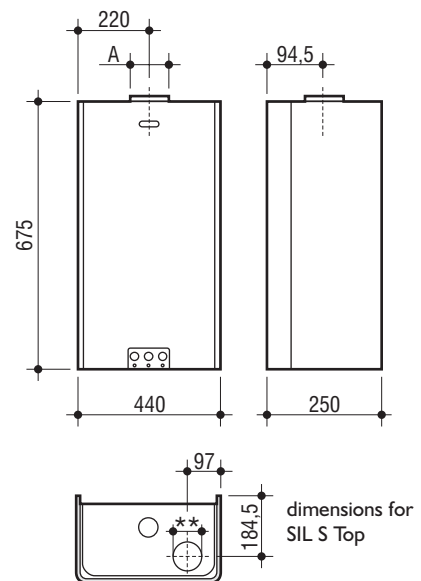
### Optional accessories

- For accessories suitable for SIL water heater, see page 85.
- Flue suction/exhaust kits are not included in the supply. See accessories on demand on page 85.
- Polyphosphate doser type DPO/B.

### Certification

- SIL water heaters are EC type approved.

- In the presence of hard water it is recommended to assemble a polyphosphate proportional doser at the water heater cold water inlet.



Connections: see template on page 79.

water heater type	furnace power		hot sanitary water supply ( $\Delta T$ 25°C) l/min.		Sanitary circuit max. pressure bar	power voltage V/Hz	A mm.	Cold water inlet $\emptyset$	Hot water outlet $\emptyset$	gas inlet $\emptyset$	Weight kg
	kW	kcal/h	min	max							
<b>SIL 14 TOP</b>	27	23.220	2,5	13,6	10	230/50	132,5	1/2"	1/2"	1/2"	25
<b>SIL 14 S TOP</b>	27	23.220	2,5	13,6	10	230/50	*	1/2"	1/2"	1/2"	26

\* Flue connections: concentric or split discharge

water heater code	fuel	water heater type	Useful power	
			kW	kcal/h
00045100	natural gas	<b>SIL 14 TOP</b>	8÷ 23,7	6.880÷ 20.468
00045110	LPG	<b>SIL 14 TOP</b>	8÷ 23,7	6.880÷ 20.468
00045120	natural gas	<b>SIL 14 S TOP</b>	8÷ 23,7	6.880÷ 20.468
00045130	LPG	<b>SIL 14 S TOP</b>	8÷ 23,7	6.880÷ 20.468

## • SAL 80S - SAL 120S

- High-efficiency wall-hung forced draught proof water heater.
- 75 Lt. (SAL 80 S) and 115 Lt. (SAL 120 S) storage boiler, full glass glazed and coated with foamed polyurethane insulation.
- Flue exhaust adjustable cap.
- Burnt flue exhaust fan.
- Electronic ignition with ionization flame control.
- Boiler inspection and cleaning flange.
- Natural gas or LPG operation.
- Instruments for unit control and regulation.

### • Maintenance

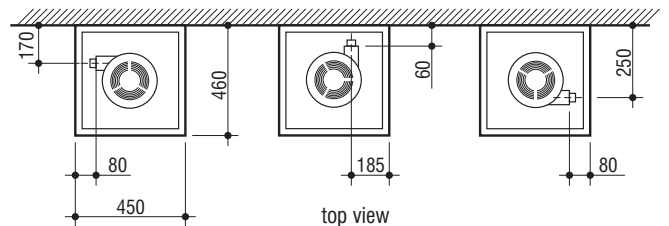
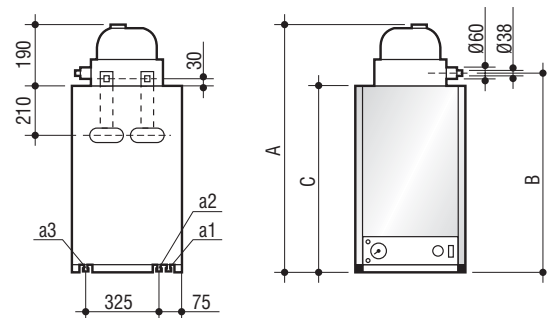
- Maintenance is made simple thanks to easy accessibility to internal components.

### • Optional accessories

- For accessories suitable for SAL S water heater, see page 85.
- Flue suction/exhaust kits are not included in the supply. See accessories on demand on page 85.

### • Certification

- SAL S water heaters are EC type approved.



water heater type	furnace power		hot sanitary water supply A.C.S. ΔT 40°C l/h	Sanitary circuit max. pressure bar	power voltage V/Hz	A mm.	B mm.	C mm.	Gas Inlet Ø a1	Hot water outlet Ø a2	Cold water inlet Ø a3	Weight kg
	kW	kcal/h										
<b>SAL 80 S</b>	5	4.300	92	6	230/50	1.040	895	850	3/8"	1/2"	1/2"	49
<b>SAL 120 S</b>	5	4.300	92	6	230/50	1.400	1.255	1.210	3/8"	1/2"	1/2"	74

water heater code	water heater type	Useful power	
		kW	kcal/h
00045500	<b>SAL 80 S</b>	4,7	4.042
00045510	<b>SAL 120 S</b>	4,7	4.042

## • SAL 150S - SAL 180S

- High-efficiency forced draught proof water heater.
- 145 Lt. (SAL 150 S) and 175 Lt. (SAL 180 S) storage boiler, full glass glazed and coated with foamed polyurethane insulation.
- Flue exhaust adjustable cap.
- Burnt flue exhaust fan.
- Electronic ignition with ionization flame control.
- Boiler inspection and cleaning flange.
- Natural gas or LPG operation.
- Instruments for unit control and regulation.

### • Maintenance

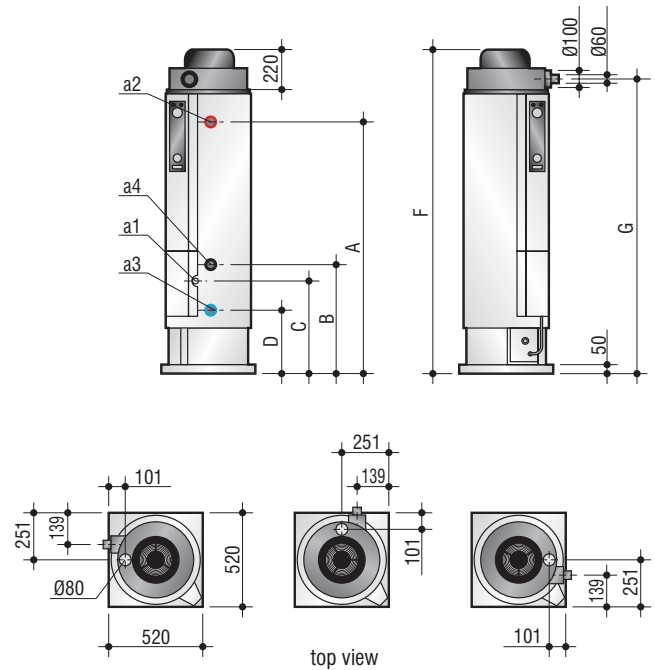
- Maintenance is made simple thanks to easy accessibility to internal components.

### • Optional accessories

- For accessories suitable for SAL S water heater, see page 85.
- Flue suction/exhaust kits are not included in the supply. See accessories on demand on page 85.

### • Certification

- SAL S water heaters are EC type approved.



water heater type	furnace power		hot sanitary water supply $\Delta T$ 40°C l/h	Sanitary circuit max. pressure bar	power voltage V/Hz	A mm.	B mm.	C mm.	D mm.	F mm.	G mm.	gas inlet	Hot water outlet	Cold water inlet	Hot water tank ricirculation	Weight kg
	kW	kcal/h										$\varnothing$ a1	$\varnothing$ a2	$\varnothing$ a3	$\varnothing$ a4	
<b>SAL 150 S</b>	18	15.481	328	6	230/50	1.615	715	420	385	1.925	1.750	1/2"	3/4"	3/4"	3/4"	100
<b>SAL 180 S</b>	19	16.341	349	6	230/50	1.815	715	420	385	2.125	1.950	1/2"	3/4"	3/4"	3/4"	110

water heater code	water heater type	Useful power	
		kW	kcal/h
00045520	<b>SAL 150 S</b>	16,7	14.363
00045530	<b>SAL 180 S</b>	17,5	15.051

## • SAL 220S ÷ SAL 400S

- High-efficiency forced draught proof water heater.
- 220 Lt. (SAL 220 S), 300 Lt. (SAL 300 S) and 400 Lt. (SAL 400 S) storage boiler, full glass glazed.
- Boiler coated with 50 mm. thick closed cell foamed polyurethane.
- Flue exhaust adjustable cap.
- Burnt flue exhaust fan.
- Electronic ignition with ionization flame control.
- Boiler inspection and cleaning flange.
- Natural gas or LPG operation.
- Instruments for unit control and regulation.

### • Maintenance

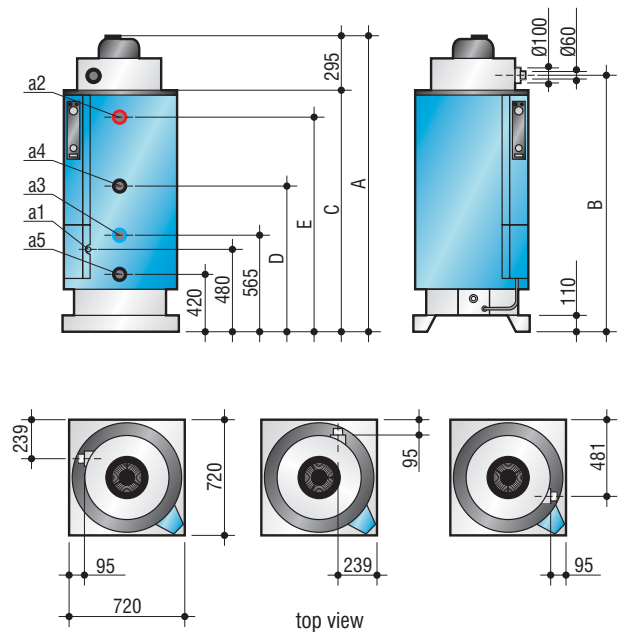
- Maintenance is made simple thanks to easy accessibility to internal components.

### • Optional accessories

- For accessories suitable for SAL S water heater, see page 85.
- Flue suction/exhaust kits are not included in the supply. See accessories on demand on page 85.

### • Certification

- SAL S water heaters are EC type approved.



water heater type	furnace power		hot sanitary water supply $\Delta T$ 40°C l/h	Sanitary circuit max. pressure bar	power voltage V/Hz	A mm.	B mm.	C mm.	D mm.	E mm.	gas inlet $\varnothing$ a1	Hot water outlet $\varnothing$ a2	Cold water inlet $\varnothing$ a3	Hot water tank $\varnothing$ a4	Hot water ricirculation $\varnothing$ a5	Scarico $\varnothing$ a5	Weight kg
	kW	kcal/h															
<b>SAL 220 S</b>	28,5	24.512	527	6	230/50	1.660	1.495	1.365	970	1.300	1/2"	1 1/4"	1 1/4"	1"	1"	1"	202
<b>SAL 300 S</b>	31	26.662	573	6	230/50	2.015	1.840	1.720	970	1.655	1/2"	1 1/4"	1 1/4"	1"	1"	1"	245
<b>SAL 400 S</b>	31	26.662	573	6	230/50	2.365	2.190	2.070	1.135	2.000	1/2"	1 1/4"	1 1/4"	1"	1"	1"	286

water heater code	water heater type	Useful power	
		kW	kcal/h
00045540	<b>SAL 220 S</b>	25,8	22.190
00045550	<b>SAL 300 S</b>	28	24.082
00045560	<b>SAL 400 S</b>	28	24.082



## • SAL 220 ÷ SAL 400

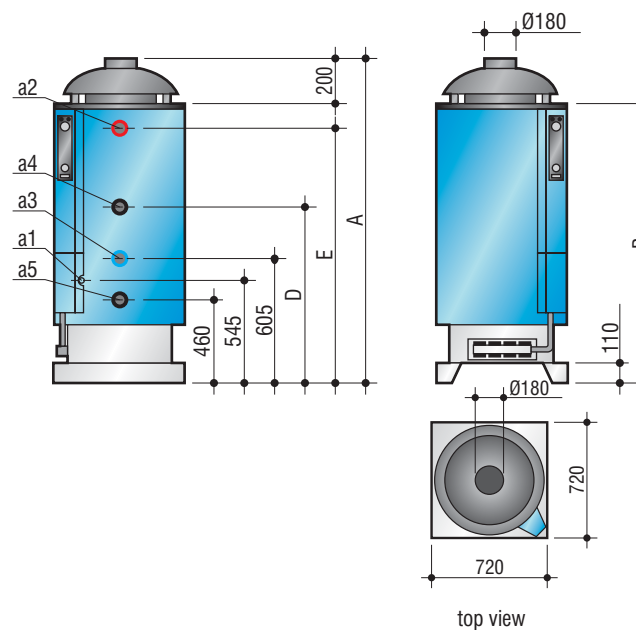
- High-efficiency forced draught open chamber water heater.
- 220 Lt. (SAL 220 S), 300 Lt. (SAL 300 S) and 400 Lt. (SAL 400 S) storage boiler, full glass glazed and coated with foamed polyurethane.
- Flue safety thermostat.
- Piezoelectric ignition.
- Boiler inspection and cleaning flange.
- Natural gas or LPG operation.
- Instruments for unit control and regulation.

### • Maintenance

- Maintenance is made simple thanks to easy accessibility to internal components.

### • Certification

- SAL water heaters are EC type approved.



water heater type	furnace power		hot sanitary water supply $\Delta T$ 40°C l/h	Sanitary circuit max. pressure bar	power voltage V/Hz	A mm.	B mm.	D mm.	E mm.	gas inlet $\varnothing$ a1	Hot water outlet $\varnothing$ a2	Cold water inlet $\varnothing$ a3	Hot water tank ricirculation $\varnothing$ a4	Scarico $\varnothing$ a5	Weight kg
	kW	kcal/h													
<b>SAL 220</b>	34	29.242	621	6	230/50	1.600	1.400	1.010	1.330	1/2"	1 1/4"	1 1/4"	1"	1"	160
<b>SAL 300</b>	34	29.242	621	6	230/50	1.960	1.750	1.010	1.680	1/2"	1 1/4"	1 1/4"	1"	1"	202
<b>SAL 400</b>	34	29.242	621	6	230/50	2.310	2.100	1.175	2.030	1/2"	1 1/4"	1 1/4"	1"	1"	243

water heater code	water heater type	Useful power	
		kW	kcal/h
00045570	<b>SAL 220</b>	30,3	26.060
00045580	<b>SAL 300</b>	30,3	26.060
00045590	<b>SAL 400</b>	30,3	26.060

## • BOX ZONE

- Zone management devices for systems up to 35 kW.
- Ideal for embedded-type assembly; wall-hung installation is also possible.
- Zone delivery circulators.
- Operation management electronic card.
- Safety thermostat in low temperature zone (Box Mix Zone).
- Circulator anti-blocking function.
- Post-circulation (10 seconds).
- Temperature regulation for precedence probe (25÷ 45°C).
- Anti-freeze device (5÷ 7°C).
- Possible connection of an external probe to the Box Mix Zone (on demand).
- Electromechanical mixing valve (Box Mix Zone).
- Delivery temperature regulation of low temperature zone (Box Mix Zone).
- Water circuit breaker.
- Led Check Control for defect detection.

### • Maintenance

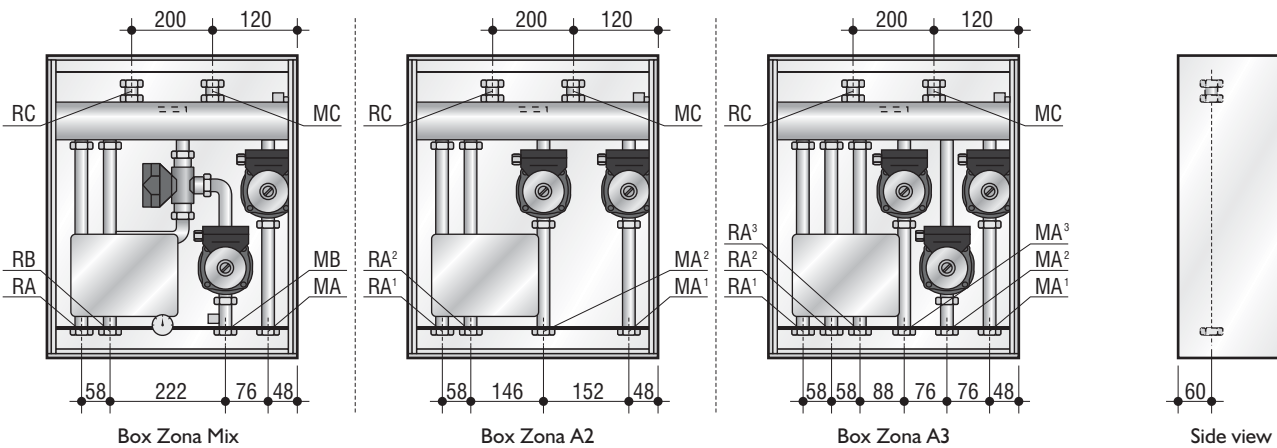
- Maintenance is made simple thanks to easy accessibility to internal components.

### • Optional accessories

- To see the accessories suitable for BOX ZONE, see page 85.

### • Range of accessories

- Box Mix Zone: for managing 1 high temperature zone and 1 low temperature zone.
- Box Zone A2: for managing 2 high temperature or low temperature zones (only for suitable boilers).
- Box Zone A3: for managing 3 high temperature or low temperature zones (only for suitable boilers).



**MC** = Boiler delivery.

**RC** = Boiler return.

**MB** = Low temperature heating delivery.

**RB** = Low temperature heating return.

**MA<sup>1</sup> - MA<sup>2</sup> - MA<sup>3</sup>** = Temperature heating delivery systems.

**RA<sup>1</sup> - RA<sup>2</sup> - RA<sup>3</sup>** = Temperature heating return systems.

Box zone type	Water content l	Max. operating pressure bar	Max. operating temperature °C	Post circulation sec.	power voltage V/Hz	power input W	Transformer protection fuse A	Width mm.	Height mm.	Depth mm.	Weight kg
<b>BOX ZONE MIX</b>	5	3	90	10	230/50	260	3,15	440	550	175	17
<b>BOX ZONE A2</b>	5	3	90	10	230/50	230	3,15	440	550	175	18,5
<b>BOX ZONE A3</b>	5	3	90	10	230/50	340	3,15	440	550	175	20,5

Box Zone code	Box Zone type
08516500	<b>BOX ZONE MIX</b>
08516510	<b>BOX ZONE A2</b>
08516520	<b>BOX ZONE A3</b>



# Boilers, Regulation systems and Radiators

Boilers for hot sanitary water supply  
**PAC B – PAC S**  
**PAV/N**  
**BITHERM**

Regulation systems  
**CLASS PIÙ chronothermostat**

In compliance with:  
DIRECTIVE E.M.C. 89/336/EEC (Act No. D.L. 476 of 4/12/92) Boilers and Radiators not included)  
DIRECTIVE L.V. 72/23/EEC (Act No. 791 of 18/10/77) (Radiators not included)

PAC B						
PAC S						
PAV/N						
BITHERM						
	80	120	145	150	250	600
	Litri					

# Boilers for hot sanitary water supply

## • PAC B - PAC S



- Enamelled steel boilers.
- Foamed polyurethane insulation.
- High-prevalence circulator.
- Thermostat.
- Thermometer.
- Magnesium anode.
- Safety valve.
- Check valve.
- Air bleed automatic valve.
- Inspection flange.



### • Installation and Maintenance

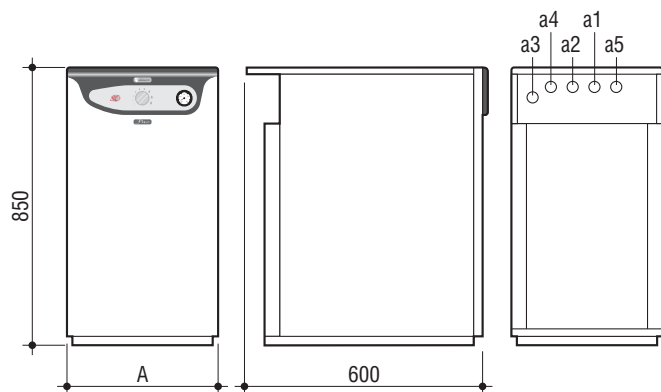
- Maintenance is made simple thanks to easy accessibility to internal components.

### • Certification

- PAC B and PAC S boilers are EC type approved.

### • Range of products

- PAC B, white covering (RAL 9003). Possible combination with ERA F, XILO T 24 and ERA F S boilers.
- PAC S, dark grey covering (RAL 9007). Possible combination with SEC and EXA.



Boiler type	exchange power		accumulator capacity l	pipe coil capacity l	Hot sanitary water supply $\Delta T 30^{\circ}C$ l/h	peak sampling during the first 10' l	Maximum storage pressure bar	coil maximum pressure bar	A mm.	Cold water inlet $\varnothing$ a1	Hot water outlet $\varnothing$ a2	coil inlet $\varnothing$ a3	coil outlet $\varnothing$ a4	Ricircolo $\varnothing$ a5	Weight Kg
	kW	kcal/h													
<b>PAC 80 B</b>	28,5	24.500	80	3,5	816	185	6	12	450	1/2"	1/2"	3/4"	3/4"	1/2"	73
<b>PAC 120 B</b>	34,9	30.000	120	4,25	1.000	260	6	12	600	1/2"	1/2"	3/4"	3/4"	1/2"	105
<b>PAC 80 S</b>	28,5	24.500	80	3,5	816	185	6	12	450	1/2"	1/2"	3/4"	3/4"	1/2"	73
<b>PAC 120 S</b>	34,9	30.000	120	4,25	1.000	260	6	12	600	1/2"	1/2"	3/4"	3/4"	1/2"	105

boiler code	boiler type	accumulator capacity	
		l	
00047620	<b>PAC 80 B</b>	80	
00047630	<b>PAC 120 B</b>	120	
00047600	<b>PAC 80 S</b>	80	
00047610	<b>PAC 120 S</b>	120	

## • PAV/N

- two-layer glazed and enamelled steel boilers.
- scratch-resistant polyethylene coating.
- Foamed polyurethane insulation.
- Magnesium anode.
- Boiler safety control electrical panel.
- Possible combination with GASTER N, BIG F, MEGA PREX (BT-SL) and DUO PREX.

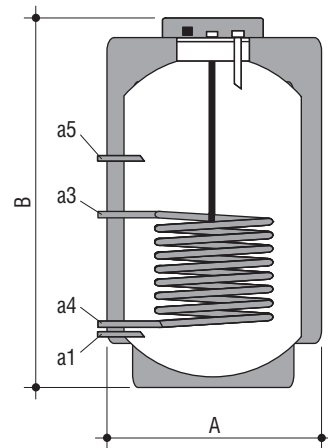


### • Installation and Maintenance

- Maintenance is made simple thanks to easy accessibility to internal components.

### • Certification

- PAV/N boilers are EC type approved.



Boiler type	exchange power		accumulator capacity	pipe coil capacity	hot sanitary water supply	peak sampling during the first 10'	Maximum storage pressure	coil maximum pressure	A	B	Cold water inlet	Hot water outlet	coil inlet	coil outlet	Hot water tank ricirculation	Weight
	kW	kcal/h	l	l	l/h	l	bar	bar	mm.	mm.	Ø a1	Ø a2	Ø a3	Ø a4	Ø a5	Kg
<b>PAV 150 N</b>	30,6	26.350	145	5	1.032	145	6	10	600	890	1"	1 1/4"	1"	1"	1/2"	56
<b>PAV 200 N</b>	42	36.125	193	7,2	1.417	230	6	10	600	1.150	1"	1 1/4"	1"	1"	1/2"	72
<b>PAV 300 N</b>	58,3	50.150	296	9,6	1.965	340	6	10	600	1.660	1"	1 1/4"	1"	1"	1/2"	96
<b>PAV 500 N</b>	73,5	63.220	494	12,1	2.782	690	6	10	750	1.640	1"	1 1/4"	1"	1"	1/2"	125
<b>PAV 600 N</b>	89,7	77.150	591	14,4	2.963	795	6	10	750	1.950	1"	1 1/4"	1"	1"	1/2"	152

boiler code	boiler type	accumulator capacity l
00047550	<b>PAV 150 N</b>	145
00047560	<b>PAV 200 N</b>	193
00047570	<b>PAV 300 N</b>	296
00047580	<b>PAV 500 N</b>	494
00047590	<b>PAV 600 N</b>	591

# Boilers for hot sanitary water supply

## • BITHERM



- enamelled steel boilers.
- Foamed polyurethane insulation.
- Magnesium anode.
- Fitted with registering (minimum and maximum) thermostat and thermometer
- Possible combination with SEC, EXA, NEINOX, NEINOX BT.

### • Installation and Maintenance

- Maintenance is made simple thanks to easy accessibility to internal components.

### • Optional accessories

- Kits for water connections to Neinox and Neinox BT boiler are not included in the supply.

### • Certification

- BITHERM boilers are EC type approved.

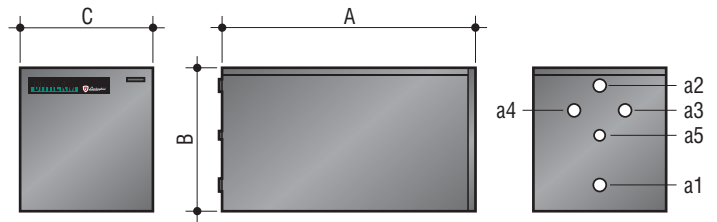


## • Kits for water connections to NEINOX and NEINOX BT boilers.



code                      description

08510830                Kits for water connections

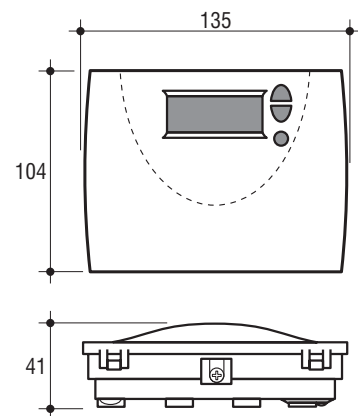


Boiler type	exchange power		accumulator capacity l	Pipe coil capacity l	hot sanitary water supply $\Delta T 30^{\circ}C$ l/h	peak sampling during the first 10' l	Max. storage pressure bar	coil max pressure bar	A mm.	B mm.	C mm.	Cold water inlet $\varnothing$ a1	Hot water outlet $\varnothing$ a2	coil inlet $\varnothing$ a3	coil outlet $\varnothing$ a4	Hot water tank ricirculation $\varnothing$ a5	Weight Kg
	kW	kcal/h															
<b>BITHERM 150</b>	29,3	25.200	150	7	840	225	6	6	1.000	610	610	3/4"	3/4"	1"	1"	3/4"	100
<b>BITHERM 200</b>	36	31.000	200	10	1.033	300	6	6	1.125	660	660	3/4"	3/4"	1"	1"	3/4"	130
<b>BITHERM 250</b>	42,7	36.800	250	13	1.226	375	6	6	1.375	660	660	3/4"	3/4"	1"	1"	3/4"	160

boiler code	boiler type	accumulator capacity l
00047411	<b>BITHERM 150</b>	150
00047421	<b>BITHERM 200</b>	200
00047431	<b>BITHERM 250</b>	250

## • CLASS PIÙ

- Digital chronothermostat.
  - Three-time-bracket weekly programme, set up for each day of the week
  - Half-week programme and one/two/three-time-bracket daily programme
  - Optimum start-up control.
  - Self-adapting system, allowing automatic adaptation to the system control.
  - Summer/winter switching programme.
  - Possible temperature adjustment for anti-freeze protection.
  - Possible new calibration of the room probe (unless previously calibrated).
  - Fitted with anti-scuff periodic circulator control.
- **Installation and Maintenance**
    - Easy adjustment and installation thanks to ready electrical controls on the boiler.
    - No maintenance required.
  - **Certification**
    - CLASS PIÙ chronothermostats are EC type approved.



chronothermostat code	chronothermostat type	Network voltage V	Network frequency Hz	Weight kg
00087520	CLASS PIÙ	230± 15%	50 o 60	0,5



## Aluminium radiators

- High radiant power radiators, made by high-pressure die-casting special aluminium alloy.
- Thermal emission is optimized thanks to bigger convective fins with respect to wet surfaces.
- Maximum operation pressure: 10 bar
- Battery inspection through hydropneumatic system.
- The radiators are suitable both for standard and single-pipe systems.
- Fitted with 1" Ø connections allowing direct assembly of the valves in single-pipe systems.
- Paint covering is protected by a thermo retractile polyethylene film.

### Installation and Maintenance

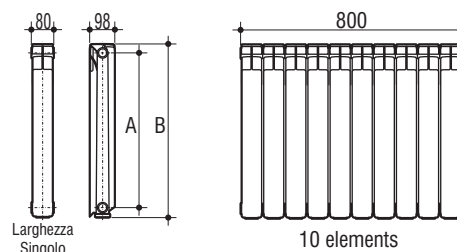
- Minimum distances from the wall and from the floor are approximately 30 mm. and 120 mm. respectively.
- In the event of under recess installation, a space of 100 mm. upwards shall be kept.
- Make sure that the filling water hardness is lower than 15°F with a Ph ranging from 7 to 8.
- Do not use solvents or abrasive materials when cleaning the radiator, thus avoiding to damage the paint covering.
- Do not use fired tile nor porous material humidifiers.

### Optional accessories

- For optional accessories intended for aluminium radiators, see page?



- In the presence of hard water it is recommended to assemble a polyphosphate proportional dosing unit at the boiler cold water inlet.



radiator code	radiator type	A	B
F17165100	<b>510</b>	500	581,5
F17166100	<b>610</b>	500	581,5
F17167100	<b>710</b>	500	581,5
F17168100	<b>810</b>	500	581,5

### Technical data

Types		510	610	710	810
Heating power $\Delta T$ 50°C in compliance with EN 442	W	1.220	1.410	1.590	1.730
	kcal/h	1.049,2	1.212,6	1.367,4	1.487,8
Heating power $\Delta T$ 60°C in compliance with EN 442	W	1.545	1.788	2.026	2.201
Heating power $\Delta T$ 70°C in compliance with EN 442	W	1.887	2.187	2.488	2.698
Heating power per part $\Delta T$ 50°C in compliance with EN 442	W	122	141	159	173
	kcal/h	104,92	121,26	136,74	148,78
K coefficient	n	1,2962	1,3039	1,3282	1,3204
Maximum operation pressure	bar	10	10	10	10
Water composition	l	4	4,3	5	5,2
Elements	n	10	10	10	10
Connections	Ø	1"	1"	1"	1"
Weight	kg	13	15	18	20

# Water treatment line

## Water softeners

**SWEET-M**  
**EAU-M**  
**EAU-E BIOS**  
**DOUBLE-E**  
**PLUS-E**

In compliance with:  
DIRECTIVE E.M.C. 89/336/EEC (Act No. D.L. 476 of 4/12/92)  
DIRECTIVE L.V. 72/23/EEC (Act No. 791 of 18/10/77)

## Water filters

**FCO**  
**FCP**  
**FCA**  
**FT**  
**FF**  
**FD**

In compliance with:  
DIRECTIVE E.M.C. 89/336/EEC (Act No. D.L. 476 of 4/12/92) (only FT-FF-FD fitlers)  
DIRECTIVE L.V. 72/23/EEC (Act No. 791 of 18/10/77) (only FT-FF-FD fitlers)

## Dosing pumps

**PDC**  
**PDPH**

In compliance with:  
DIRECTIVE E.M.C. 89/336/EEC (Act No. D.L. 476 of 4/12/92)  
DIRECTIVE L.V. 72/23/EEC (Act No. 791 of 18/10/77)

## Polyphosphate dosing units

**DPO**

SWEET-M						
EAU-M						
EAU-E BIOS						
DOUBLE-E						
PLUS-E						
	40	125	210	720	960	3.360
	m³ °F					

## • SWEET-M

- Time regeneration water softeners for domestic heating.
- Time electromechanical operation and programme valve.
- Rigid, shock-resistant, parallelepiped, compact and stylish shell in non-toxic polyethylene.
- Realized in compliance with the standards ruling the materials for alimentary use.
- Fitted with 1 gearless traction electric motor.
- No water hammering during operation and regeneration.
- Reduced loss of pressure during operation.
- Possible chlorine producing unit assembly in compliance with D.M. No. 443 standard.
- SWEET-M water softeners are supplied preloaded and equipped with hardness mixer and by-pass.
- Hardness test.

### • Installation and Maintenance

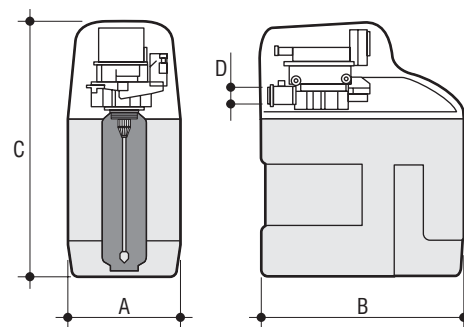
- Easy installation thanks to high adaptability to house appliances. Simply connect the softener to the water delivery system outlet and to a 230V power supply outlet. An inlet filter shall be assembled in order to prevent floating particles from entering.
- Maintenance is made simple thanks to the softener's simple structure.

### • Optional accessories

- For optional accessories intended for SWEET-M water softeners, see page 113.

### • Certification

- SWEET-M water softeners are EC type approved.



water softener type	average capacity l/h	maximum capacity l/h	maximum pressure bar	power voltage V/Hz	Salt consumption for regeneration kg	salt container kg	A mm.	B mm.	C mm.	D Ø	weight** kg
<b>SWEET 8 M</b>	600	1.200	6	230/50 mon.	2,2	55	316	559	673	3/4"	23
<b>SWEET 15 M</b>	1.200	1.600	6	230/50 mon.	2,7	100	316	559	1.006	3/4"	29
<b>SWEET 22 M</b>	1.600	2.500	6	230/50 mon.	3,7	125	316	559	1.127	3/4"	35

\* Non-continuous maximum capacity - \*\* Weight: with filling material

Cyclic capacity has been calculated with water overall hardness being 26° F (260 ppm CaCO<sub>3</sub>); turbidity free, colourless, iron and oil free, and supplied at continuous average capacity.

water softener code	water softener type	Maximum cyclic capacity m <sup>3</sup> °F
00053511	<b>SWEET 8 M</b>	40
00053521	<b>SWEET 15 M</b>	75
00053531	<b>SWEET 22 M</b>	125

## • EAU-M

- Time regeneration water softeners for domestic heating.
- Time electromechanical operation and programme valve.
- Rigid, shock-resistant, parallelepiped, compact and stylish shell in non-toxic polyethylene.
- Realized in compliance with the standards ruling the materials for alimentary use.
- Fitted with two gearless traction electric motors.
- No water hammering during operation and regeneration.
- Reduced loss of pressure during operation.
- Possible chlorite producing unit assembly in compliance with D.M. No. 443 standard.
- Hardness test.
- EAU-M water softeners are supplied preloaded.



### • Installation and Maintenance

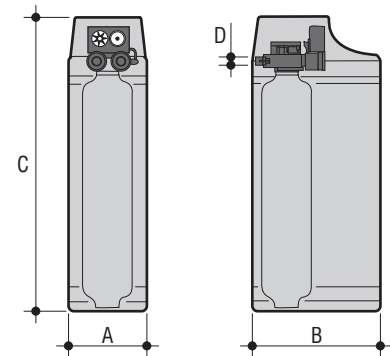
- Easy installation thanks to high adaptability to house appliances. Simply connect the softener to the water delivery system outlet and to a 230V power supply outlet. An inlet filter shall be assembled in order to prevent floating particles from entering.
- Maintenance is made simple thanks to the softener's simple structure.

### • Optional accessories

- For optional accessories intended for EAU-M water softeners, see page 113.

### • Certification

- EAU-M water softners are EC type approved.



water softener type	average capacity l/h	maximum capacity* l/h	maximum pressure bar	power voltage V/Hz	Salt consumption for regeneration kg	salt container kg	A mm.	B mm.	C mm.	D Ø	Peso** kg
<b>EAU 8 M</b>	600	1.200	6	230/50 mon.	2,2	55	330	540	740	3/4"	23
<b>EAU 15 M</b>	1.200	1.600	6	230/50 mon.	2,7	100	330	540	1.040	3/4"	29
<b>EAU 22 M</b>	1.600	2.500	6	230/50 mon.	3,7	125	330	540	1.160	3/4"	35

\* Non-continuous maximum capacity - \*\* Weight: with filling material

Cyclic capacity has been calculated with water overall hardness being 26° F (260 ppm CaCO<sub>3</sub>); turbidity free, colourless, iron and oil free, and supplied at continuous average capacity.

water softener code	water softener type	Maximum cyclic capacity m <sup>3</sup> °F
00053241	<b>EAU 8 M</b>	40
00053251	<b>EAU 15 M</b>	75
00053261	<b>EAU 22 M</b>	125

## • EAU-E Bios

- Time, volume\* and volume/time combined regeneration water softeners for domestic heating.
- Microprocessor electronic servocontrol operation and programme valve.
- Equipped with "BIO COMPURITY SYSTEM" protection against build up of bacteria.
- Rigid, shock-resistant, parallelepiped, compact and stylish shell in non-toxic polyethylene.
- Realized in compliance with the standards ruling the materials for alimentary use.
- Countercurrent regeneration for efficient resin feeding and reduced water and salt consumption.
- Data storage guaranteed by a self-recharging accumulator for at least three months of black out.
- The supply includes flexible pipes and a by-pass fitted with hardness proportional mixer, backflow valves and built-in chlorine producing unit.
- In compliance with D.M. No. 443 standard.
- Hardness test.



### • Installation and Maintenance

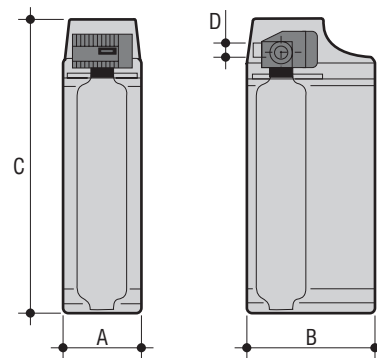
- Easy installation thanks to high adaptability to house appliances. Simply connect the softener to the water delivery system outlet and to a 230V power supply outlet. An inlet filter shall be assembled in order to prevent clinker from entering.
- Maintenance is made simple thanks to the softener's simple structure.

### • Optional accessories

- For optional accessories intended for EAU-E Bios water softeners, see page 113.
- For volumetric\* regeneration a pulse shaper kit shall be installed. See optional accessories on page 113.

### • Certificazione

- EAU-E Bios water softeners are EC type approved.



water softener type	average capacity l/h	maximum capacity* l/h	maximum pressure bar	power voltage V/Hz	Salt consumption for regeneration kg	salt container kg	A mm.	B mm.	C mm.	D Ø	weight** kg
<b>EAU 8 E BIOS</b>	600	1.200	6	230/50 mon.	2,2	55	330	540	740	3/4"	20
<b>EAU 15 E BIOS</b>	1.200	1.600	6	230/50 mon.	2,7	100	330	540	1.040	3/4"	30
<b>EAU 22 E BIOS</b>	1.600	2.500	6	230/50 mon.	3,7	125	330	540	1.160	3/4"	40

\* Non-continuous maximum capacity - \*\* Weight: with filling material

Cyclic capacity has been calculated with water overall hardness being 26° F (260 ppm CaCO<sub>3</sub>); turbidity free, colourless, iron and oil free, and supplied at continuous average capacity.

water softener code	water softener type	Maximum cyclic capacity m <sup>3</sup> °F
00053302	<b>EAU 8 E BIOS</b>	40
00053312	<b>EAU 15 E BIOS</b>	75
00053322	<b>EAU 22 E BIOS</b>	125

## DOUBLE-E

- Time, volume\* and volume/time combined regeneration water softeners for domestic/residential heating.
- Microprocessor electronic servocontrol operation and programme valve.
- Cylinder in polyethylene strengthened with plastic reinforced by fiber glass.
- Three-way proportional by-pass with non-return valve for models Double 35E – Double 50E - Double 65E.
- Hardness mixer for models Double 35E – Double 50E - Double 65E.
- Connecting flexible pipes.
- Salt container in polyethylene.
- Possible chlorine producing unit assembly in compliance with D.M. No. 443 standard.
- Hardness test.
- Models DOUBLE 35E and 50E are supplied preloaded.

### Installation and Maintenance

- Easy installation thanks to high adaptability to house appliances. Simply connect the softener to the water delivery system outlet and to a 230V power supply outlet. An inlet filter shall be assembled in order to prevent clinker from entering.
- Maintenance is made simple thanks to the softener's simple structure.

### Optional accessories

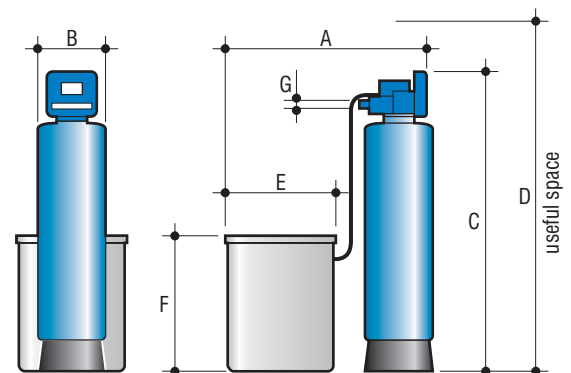
- For optional accessories intended for DOUBLE-E water softeners, see page 113.
- For volumetric\* regeneration a pulse shaper kit shall be installed. See optional accessories on page 113.

### Certification

- DOUBLE-E water softeners are EC type approved.

### Range of products

- DOUBLE 35E-50E-65E: for domestic heating.
- DOUBLE 85E-125E: for residential heating.



water softener type	average capacity l/h	maximum capacity* l/h	maximum pressure bar	power voltage V/Hz	Salt consumption for regeneration kg	salt container kg	A mm.	B mm.	C mm.	D mm.	E mm.	F mm.	G Ø mm.	weight** kg
<b>DOUBLE 35 E</b>	1.800	2.700	6	230/50 mon.	7	200	800	260	1.335	1.435	530	1.050	1 1/4"	60
<b>DOUBLE 50 E</b>	2.400	3.000	6	230/50 mon.	9,5	200	900	330	1.600	1.700	530	1.050	1 1/4"	85
<b>DOUBLE 65 E</b>	3.500	5.500	6	230/50 mon.	16	300	1.100	370	1.600	1.700	700	1.060	1 1/4"	101
<b>DOUBLE 85 E</b>	5.700	8.100	6	230/50 mon.	21	300	1.150	400	1.900	2.000	700	1.060	1 1/2"	164
<b>DOUBLE 125 E</b>	7.500	10.000	6	230/50 mon.	31	300	1.150	400	1.900	2.000	700	1.060	1 1/2"	176

\* Non-continuous maximum capacity - \*\* Weight: with filling material

Cyclic capacity has been calculated with water overall hardness being 26° F (260 ppm CaCO<sub>3</sub>); turbidity free, colourless, iron and oil free, and supplied at continuous average capacity.

water softener code	water softener type	Maximum cyclic capacity m <sup>3</sup> °F
00053361	<b>DOUBLE 35 E</b>	210
00053371	<b>DOUBLE 50 E</b>	275
00052932	<b>DOUBLE 65 E</b>	412
00052942	<b>DOUBLE 85 E</b>	510
00052952	<b>DOUBLE 125 E</b>	720

# Water softeners

## • PLUS-E

- Time, volume\* and volume/time combined regeneration water softeners for industrial heating.
- Electronic servocontrol operation and programme valve.
- Cylinder in polyethylene strengthened with plastic reinforced by fiber glass for models PLUS 165E and PLUS 215E.
- Hot-galvanized steel cylinder for models PLUS 265E and PLUS 550E.
- Connecting flexible pipes.
- Salt container in polyethylene.
- Hardness test.

### • Installation and Maintenance

- Easy installation thanks to high adaptability to house appliances. Simply connect the softener to the water delivery system outlet and to a 230V power supply outlet. An inlet filter shall be assembled in order to prevent clinker from entering.
- Maintenance is made simple thanks to the softener's simple structure.

### • Optional accessories

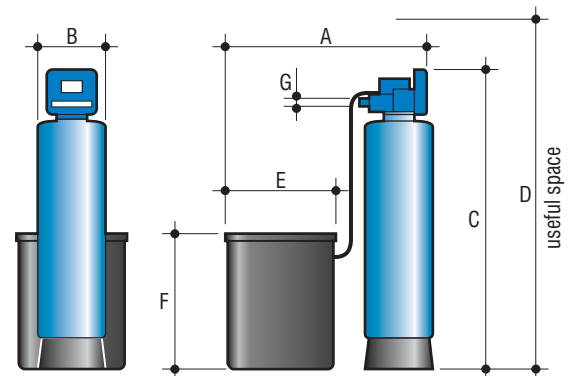
- For optional accessories intended for PLUS-E water softeners, see page 113.
- For volumetric\* regeneration a pulse shaper kit shall be installed. See optional accessories on page 113.

### • Certification

- PLUS-E water softeners are EC type approved.
- On demand: to be informed on the delivery time, please contact our Sales Department.



On demand



water softener type	average capacity l/h	maximum capacity* l/h	maximum pressure bar	power voltage V/Hz	Salt consumption for regeneration kg	salt container kg	A mm.	B mm.	C mm.	D mm.	E mm.	F mm.	G mm.	weight** kg
<b>PLUS 165 E</b>	9.000	15.000	6	230/50 mon.	40	800	1.600	470	2.030	2.330	1.000	1.200	2"	246
<b>PLUS 215 E</b>	10.000	16.800	6	230/50 mon.	53	800	1.600	470	2.030	2.330	1.000	1.200	2"	288
<b>PLUS 265 E</b>	12.600	18.000	6	230/50 mon.	65	1.000	1.670	600	2.330	2.630	1.160	1.350	2"	387
<b>PLUS 330 E</b>	18.000	25.000	6	230/50 mon.	82	1.000	2.060	750	2.415	2.720	1.160	1.350	2"	683
<b>PLUS 425 E</b>	18.600	25.500	6	230/50 mon.	106	1.000	2.060	750	2.415	2.720	1.160	1.350	2"	718
<b>PLUS 550 E</b>	24.000	32.000	6	230/50 mon.	137	1.500	2.315	900	2.450	2.750	1.265	1.350	2"	932

\* Non-continuous maximum capacity - \*\* Weight: with filling material

Cyclic capacity has been calculated with water overall hardness being 26° F (260 ppm CaCO<sub>3</sub>); turbidity free, colourless, iron and oil free, and supplied at continuous average capacity.

water softener code	water softener type	Maximum cyclic capacity m <sup>3</sup> °F
00053171	<b>PLUS 165 E</b>	960
00053181	<b>PLUS 215 E</b>	1.260
00053191	<b>PLUS 265 E</b>	1.560
00053201	<b>PLUS 330 E</b>	1.980
00053211	<b>PLUS 425 E</b>	2.550
00053221	<b>PLUS 550 E</b>	3.360

## • “cartridge” FCO

- Chromium-plated and polished brass header.
- Shatterproof and non-ageing trogamid T transparent glass.
- Long-lasting washable cartridge.
- Chromium-plated bronze connection header for models FCO \_” and FCO 1”.
- Washable plaited stainless steel cartridge with high-filtering wide surface for models FCO 1 1/2” and FCO 2”.

### • Installation and Maintenance

- Easy installation thanks to high adaptability to house appliances. Simply connect the filter to the water delivery system outlet.
- Maintenance is made simple thanks to the filter’s simple structure.

### • Certification

- FCO filters are EC type approved.



filter code	filter type	maximum capacity l/min.	recommended capacity l/min	maximum temperature °C	max. operation pressure bar	filtering degree micron	connections Ø	weight kg
00052770	FCO 3/4”	70	45	30	7	60	3/4”	3
00052780	FCO 1”	100	55	30	7	60	1”	3
00052790	FCO 1 1/2”	150	100	30	7	50	1 1/2”	4
00052800	FCO 2”	250	170	30	7	50	2”	3,5

## • “cleaning” FCP

- Brass header.
- Shatterproof and non-ageing trogamid T transparent glass.
- AISI 316 stainless steel cartridge.
- Internal parts in plastic material for alimentary use.
- Maintenance spanner.

### • Installation and Maintenance

- Easy installation thanks to high adaptability to house appliances. Simply connect the filter to the water delivery system outlet.
- Maintenance is made simple thanks to the filter’s simple structure.

### • Certification

- FCP filters are EC type approved.



filter code	filter type	maximum capacity l/min.	recommended capacity l/min	maximum temperature °C	max. operation pressure bar	filtering degree micron	connections Ø	weight kg
00053440	FCP 3/4”	50	40	30	10	90	3/4”	2
00053450	FCP 1”	75	60	30	10	90	1”	2
00053460	FCP 1 1/4”	80	70	30	10	90	1 1/4”	2

## • “self-cleaning” FCA

- All plastic parts are made of acetal resin.
- All metal parts are made of brass.
- Shatterproof and non-ageing trogamid T transparent glass.
- AISI 316 stainless steel cartridge.
- NBR gasket.
- Maintenance spanner.
- Adjustable inlet-outlet flange.
- Backwashing turbojet.

### • Installation and Maintenance

- Easy installation thanks to high adaptability to house appliances. Simply connect the filter to the water delivery system outlet.
- Maintenance is made simple thanks to the filter’s simple structure.

### • Certification

- FCA filters are EC type approved.



filter code	filter type	maximum capacity l/min.	recommended capacity l/min	maximum temperature °C	max. operation pressure bar	filtering degree micron	connections Ø	weight kg
00053400	FCA 3/4”	50	40	30	10	90	3/4”	3
00053410	FCA 1”	75	60	30	10	90	1”	3
00053420	FCA 1 1/4”	80	70	30	10	90	1 1/4”	3



### • FT - FF - FD

- Mineral container in plastic reinforced by fiber glass
  - Automatic valve with microprocessor control.
- **Installation and Maintenance**
    - Easy installation thanks to high adaptability to house appliances. Simply connect the filter to the water delivery system outlet.
    - Maintenance is made simple thanks to the filter's simple structure.
- **Certification**
    - FT – FF - FD filters are EC type approved.
- **Range of products**
    - FT filter: turbidity
    - FF filter: deferrizator
    - FD filter: cleaner
- On demand: to be informed on the delivery time, please contact our Sales Department.



On demand

filter code	filter type	maximum capacity*	recommended capacity	maximum operation pressure	washing capacity	power voltage	connections	weight**
		l/min.	l/min.	bar	l/min.	230V/50Hz W	Ø	kg
00052582	FT 26 E	15	23	7	23	8	1"	90
00052592	FT 36 E	30	55	7	44	8	1"	143
00052632	FF 26 E	5	16 Δ	7	18	8	1"	57
00052642	FF 36 E	12	25 Δ	7	32	8	1"	101
00052682	FD 26 E	8	15	7	18	8	1"	52
00052692	FD 36 E	24	35	7	32	8	1"	67

EXT 12V transformer - \*non continuous – Δ Fe max 1,5 ppm - \*\*Weight: with filling materials

## • PDC

- Gradual regulation automatic dosing pump.
- Antacid header.
- Injection capacity regulation by means of % graduated switch.
- Maximum injection of 2 Lt./h of chemical product for PDC 2 and of 5 Lt./h for PDC 5.

### • Installation and Maintenance

- Easy installation thanks to high adaptability to house appliances.
- Maintenance is made simple thanks to the dosing pump's simple structure.

### • Optional accessories

- For the chemical product container intended for dosing pumps, see optional accessories on page 113.

### • Certification

- PDC dosing pumps are EC type approved.



pump code	pump type	maximum capacity	maximum operation pressure	maximum temperature	power voltage	weight
		l/h	bar	°C	230V/50Hz W	
00053760	<b>PDC 2</b>	2	10	50	30	5
00053770	<b>PDC 5</b>	5	10	50	50	5

## • PDPH

- Meter proportional automatic dosing pump.
- Meter shell in OT 58 equipped with variable proportionality dosing pump control reader, 3.5 p.p.m. maximum dosage of Aquasil 20/40 P2 O5 chemical product for models PDPH 1.5 and PDPH 2.7.
- Models PDPH 1.5 and PDPH 2.7 are used to avoid boiler scaling and corrosion.
- Antacid header for models PDPH 5 and PDPH 30.
- Bronze meter with pulse shaper automatic header for variable proportionality dosing pump control maximum injection of 10 Lt./h of chemical product for models PDPH 5 and PDPH 30.
- Regulation of the product amount by means of maximum 1000 p.p.m. graduated switch for models PDPH 5 and PDPH 30.

### • Installation and Maintenance

- Easy installation thanks to high adaptability to house appliances.
- Maintenance is made simple thanks to the dosing pump's simple structure.

### • Optional accessories

- For the chemical product container intended for dosing pumps, see optional accessories on page 113.
- For PLC chemical product use, see page 113.

### • Certification

- PDPH dosing pumps are EC type approved.



pump code	pump type	maximum capacity	maximum operation pressure	maximum temperature	power voltage	injected solution max.	meter	weight**
		m <sup>3</sup> /h	bar	°C	230V/50Hz W	p.p.m.	Ø	kg
00053480	<b>PDPH 1,5-15</b>	1,5	6	40	3,5	3,5	1/2"	1,2
00053490	<b>PDPH 2,7-20</b>	2,5	6	40	3,5	3,5	3/4"	1,5
00053780	<b>PDPH 5-20</b>	5	10	50	65	1000	3/4"	7
00053790	<b>PDPH 7-25</b>	7	10	50	65	1000	1"	7
00053810	<b>PDPH 10-30</b>	10	10	50	65	1000	1 1/4"	8
00053820	<b>PDPH 20-40</b>	20	10	50	65	1000	1 1/2"	15
00053830	<b>PDPH 30-50</b>	30	10	50	65	1000	2"	16

## Polyphosphate dosing units

### • DPO

- Chromium-plated bright brass header.
- Chromium-plated brass unions male-male (only for model DPO 1”).
- Shatterproof and non-ageing trogamid T transparent glass.

### • Installation and Maintenance

- As the dosing units do not need any connection to the power supply, the installation results to be extremely easy.

### • Certification

- DPO dosing units are EC type approved.

### • Range of products

- DPO/A dosing unit, corrosion inhibitor for water featuring a hardness degree up to 15°F.
- DPO/B dosing unit, corrosion inhibitor and anti-scale fluid for water featuring a hardness degree exceeding 15°F.



dosing unit code	dosing unit type	minimum maximum capacity l/min.	loss of pressure max. bar	amount of water treated with inhibiting charge		maximum pressure bar	maximum temperature °C	polyphosphate charge g	weight kg
				tipo A m <sup>3</sup> max.	tipo B m <sup>3</sup> max.				
00052730	DPO 1/2" A	2-25	0,25	20	–	10	40	80	1,5
00052740	DPO 1" A	4-60	0,25	180	–	10	40	800	4,5
00052750	DPO 1/2" B	2-25	0,25	–	20	10	40	80	1,5
00052760	DPO 1" B	4-60	0,25	–	180	10	40	800	4,5

## Accessories for wall-hung and floor-standing gas boilers – gas water heaters

### • Flanged concentric connecting kit for FUTURIA N

**Warning:** flanged concentric connecting kit results to be necessary each time a concentric kit with a 60/100 diameter is fitted to the boiler.



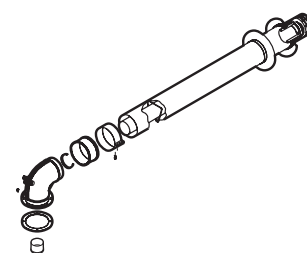
code	description	boiler
08516310	<b>Flanged concentric kit</b>	FUTURIA N 15 - FUTURIA N 25 - FUTURIA N 35

### • Flanged concentric connecting kit

**Warning:** concentric kits **A** and **B** shall be combined with the kits of accessories featuring the same reference. Example: **A+A** and **B+B = Si**, while **A+B = No**

Technical description

- 90° concentric bend (Ø 60/100) equipped with inspection outlets. – White enamelled aluminium concentric pipe (Ø60/100) L= 0.85 Mt. – Gasket strip – Stainless steel wind-resistant terminal – rubber seal – Two Ø100 washers – M/F aluminium reduction Ø60.



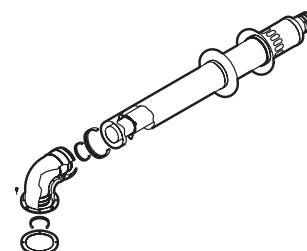
code	description	boiler/water heater
08508990	<b>Concentric kit - A</b>	XILO LN - ERA F S - ERA F BS - SIL S
08515060	<b>Concentric kit - B</b>	XILO LN - ERA F S - ERA F BS - SIL S
08515170	<b>Concentric kit without flue outlet - B</b>	XILO - XILO D - XILO T - VELA XN - ALMA

### • Condensation concentric kit

Technical description

- 90° concentric bend equipped with inspection outlets  
 - White enamelled aluminium concentric pipe L= 0.85 Mt.  
 - Stainless steel wind-resistant terminal – rubber seals – Two washers

**Warning:** for models FUTURIA N 15 – FUTURIA N 25 – FUTURIA N35, the flanged concentric connecting kit shall be fitted “**code 08516310**”



code	description	boiler
08510120	<b>Condensation concentric kit Ø80/100</b>	FUTURIA L - FUTURIA N 15 - FUTURIA N 25 - FUTURIA N 35 FUTURIA PLUS
08516080	<b>Condensation concentric kit Ø80/125</b>	FUTURIA N 50

### • Split simple high kit Ø 80 ①

Technical description

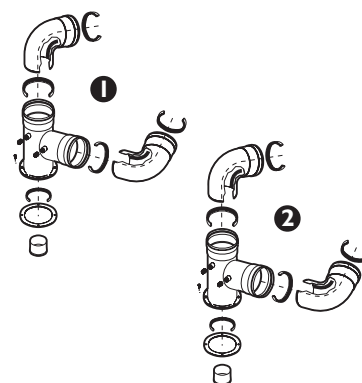
- Split tee-union equipped with inspection holes – Two white enamelled 90° Ø 80 bends  
 - Rubber seals – M/F Ø 60 aluminium reduction

### • Split simple high kit Ø 60 ②

Technical description

- Split tee-union equipped with inspection holes - Two white enamelled 90° Ø 80 bends  
 - 2 Ø 60/80 white enamelled reductions - Rubber seals - M/F Ø 60 aluminium reduction

code	description	boiler/water heater
08509860	<b>Split simple high kit Ø 80</b>	XILO LN - XILO - XILO D - XILO T - VELA XN - ALMA ERA F S - ERA F BS - SIL S



## Accessories for wall-hung and floor-standing gas boilers – gas water heaters

- **Condensation split simple high kit Ø 80 ③**

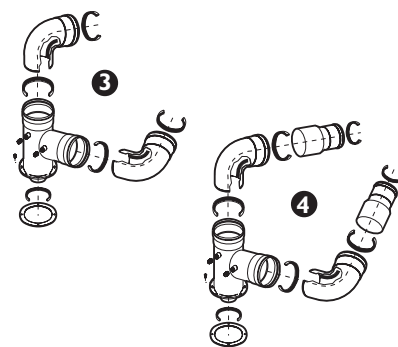
Technical description

- Split tee-union equipped with inspection holes – Two white enamelled 90° Ø 80 bends
- Rubber seals

- **Condensation split simple high kit Ø 60 ④**

Technical description

- Split tee-union equipped with inspection holes – Two white enamelled 90° Ø 80 bends
- 2 Ø 60/80 white enamelled reductions – Rubber seals



code	description	boiler
08510320	<b>Split simple high kit Ø 80</b>	FUTURIA L - FUTURIA N - FUTURIA PLUS
08511330	<b>Split simple high kit Ø 60</b>	FUTURIA L - FUTURIA N - FUTURIA PLUS

- **Condensation split simple short kit Ø 80 ⑦**

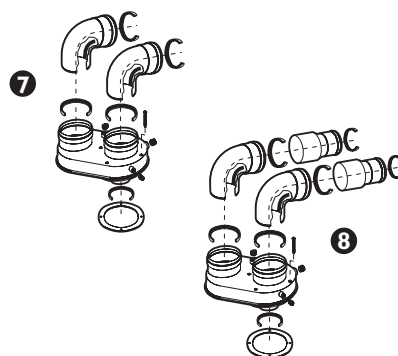
Technical description

- M/F flat splitter equipped with inspection holes – Two white enamelled 90° Ø 80 bends
- Rubber seals

- **Condensation split simple short kit Ø 60 ⑧**

Technical description

- M/F flat splitter equipped with inspection holes – Two white enamelled 90° Ø 80 bends
- 2 Ø 60/80 white enamelled reductions – Rubber seals



code	description	boiler
08509690	<b>Split simple short kit Ø 80</b>	FUTURIA L
08511320	<b>Split simple short kit Ø 60</b>	FUTURIA L

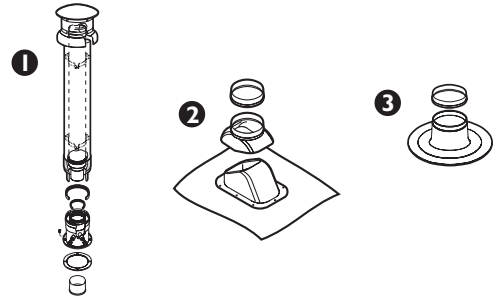
## Accessories for wall-hung and floor-standing gas boilers – gas water heaters

### • Concentric roof-top discharge kit ❶, with lead propeller nut ❷ and berm discharge ❸

#### Technical description

- one concentric pipe L= 1.2 Mt. Ø 125 with flue terminal
- Aluminium reduction stub pipe Ø 60/80
- Plastic reduction stub pipe Ø 100/125
- Coaxial connection stub pipe Ø 60/80 with inspection outlets
- Aluminium reduction M/F Ø 60

For model FUTURIA N 50, a flanged concentric 120 mm stub pipe “kit” is necessary Ø 80/125 with flue inspection outlets “code 08516120”.



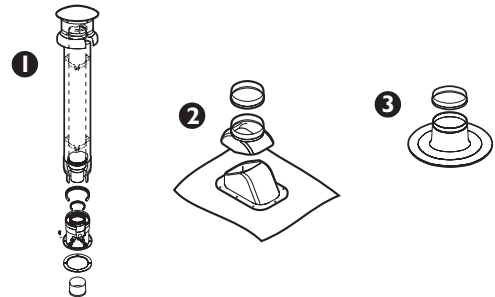
code	description	boiler/water heater
08507590	<b>Concentric roof-top discharge kit Ø 125</b>	FUTURIA L - FUTURIA N 50 - FUTURIA PLUS - XILO LN - XILO XILO D - XILO T - VELA XN - ALMA - ERA F S - ERA F BS - SIL S
08507600	<b>lead propeller nut Kit</b>	FUTURIA L - FUTURIA N 50 - FUTURIA PLUS - XILO LN - XILO - XILO D XILO T - VELA XN - ALMA - ERA F S - ERA F BS - SIL S
08508100	<b>berm discharge connection Kit</b>	FUTURIA L - FUTURIA N 50 - FUTURIA PLUS - XILO LN - XILO - XILO D XILO T - VELA XN - ALMA - ERA F S - ERA F BS - SIL S

### • Concentric roof-top discharge kit ❶, with lead propeller nut ❷ and berm discharge ❸

#### Technical description

- one concentric pipe L= 1.2 Mt. Ø 100 with flue terminal
- Coaxial connection stub pipe Ø 60/100 with inspection outlets
- Aluminium reduction M/F Ø 60

**Warning:** For models FUTURIA N 15 – FUTURIA N 25, a flanged concentric connection “kit” is necessary “code 08516310”.

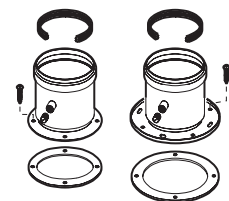


code	description	boiler
08514120	<b>Concentric roof-top discharge kit Ø 100</b>	FUTURIA L - FUTURIA N 15 - FUTURIA N 25 - FUTURIA N 35
08507600	<b>lead propeller nut Kit</b>	FUTURIA L - FUTURIA N 15 - FUTURIA N 25 - FUTURIA N 35
08508100	<b>berm discharge connection Kit</b>	FUTURIA L - FUTURIA N 15 - FUTURIA N 25 - FUTURIA N 35

### • Split separate discharge kit

#### Technical description

- 2 flanged stub pipes Ø 80 with inspection outlet
- Rubber seals



code	description	boiler/water heater
08514110	<b>Condensation split separate discharge kit</b>	FUTURIA L
08511090	<b>Split separate discharge kit</b>	XILO LN - XILO - XILO D - XILO T - VELA XN - ALMA ERA F S - ERA F BS - SIL S

## Accessories for wall-hung and floor-standing gas boilers – gas water heaters

### • Split separate discharge non-flanged kit

- Technical description  
 - 2 stub pipes with inspection outlet  
 - Rubber seals



code	description	boiler
08516090	<b>Split separate discharge non-flanged kit Ø 80</b>	FUTURIA N
08516100	<b>Split separate discharge non-flanged kit Ø 60</b>	FUTURIA N

### • Concentric accessories for flue suction and discharge

- **Warning:** series **A** and **B** cannot be combined  
 Example: **A + A** and **B + B = Si**, while **A + B = No**



code	description	boiler/water heater
08509000	<b>Concentric extension 1 Mt. kit Ø 60/100 - A</b>	XILO LN - XILO - XILO D - XILO T - VELA XN - ALMA ERA F S - ERA F BS - SIL S
08515070	<b>Concentric extension 1 Mt. kit Ø 60/100 - B</b>	XILO LN - XILO - XILO D - XILO T - VELA XN - ALMA ERA F S - ERA F BS - SIL S



code	description	boiler
08510130	<b>Concentric extension 1 Mt. kit Ø 60/100 (condensation) - A</b>	FUTURIA L - FUTURIA N 15 - FUTURIA N 25 - FUTURIA N 35 FUTURIA PLUS
08516110	<b>Concentric extension 1 Mt. kit Ø80/Ø125</b>	FUTURIA N 50




code	description	boiler/water heater
08511220	<b>concentric terminal kit Ø60/Ø100 L = 0,85 mt concentrica - A</b>	XILO LN - XILO - XILO D - XILO T - VELA XN - ALMA LED - ERA F S - ERA F BS - SIL S
08515160	<b>concentric terminal kit Ø60/Ø100 L = 0,83 mt concentrica - B</b>	XILO LN - XILO - XILO D - XILO T - VELA XN - ALMA - LED ERA F S - ERA F BS - SIL S




code	description	boiler/water heater
08509030	<b>concentric 90° bend kit Ø60/Ø100 - A</b>	XILO LN - XILO - XILO D - XILO T - VELA XN - ALMA ERA F S - ERA F BS - SIL S
08515100	<b>concentric 90° bend kit Ø60/Ø100 - B</b>	XILO LN - XILO - XILO D - XILO T - VELA XN - ALMA ERA F S - ERA F BS - SIL S


## Accessories for wall-hung and floor-standing gas boilers – gas water heaters




code	description	boiler
08510140	<b>concentric 90° bend kit Ø60/Ø100 (condensation) - A</b>	FUTURIA L - FUTURIA N 15 - FUTURIA N 25 - FUTURIA N 35 FUTURIA PLUS
08516430	<b>concentric 90° bend kit Ø80/Ø125</b>	FUTURIA N 50




code	description	boiler/water heater
08509020	<b>concentric 45° bend kit Ø60/Ø100 - A</b>	XILO LN - XILO - XILO D - XILO T - VELA XN - ALMA ERA F S - ERA F BS - SIL S
08515090	<b>concentric 45° bend kit Ø60/Ø100 - B</b>	XILO LN - XILO - XILO D - XILO T - VELA XN - ALMA ERA F S - ERA F BS - SIL S




code	description	boiler
08510150	<b>concentric 45° bend kit Ø60/Ø100 (condensation) - A</b>	FUTURIA L - FUTURIA N 15 - FUTURIA N 25 - FUTURIA N 35 FUTURIA PLUS



code	description	boiler/water heater
08509490	<b>concentric flanged 90° bend kit Ø60/Ø100 with flue inspection outlets - A</b>	XILO LN - ERA F S - ERA F BS - SIL S
08515150	<b>concentric flanged 90° bend kit Ø60/Ø100 with flue inspection outlets - B</b>	XILO LN - ERA F S - ERA F BS - SIL S
08515200	<b>concentric flanged 90° bend kit Ø60/Ø100 - B</b>	XILO - XILO D - XILO T - VELA XN - ALMA



code	description	boiler/water heater
08509060	<b>Concentric flanged 120 mm stub pipe kit with flue inspection outlets Ø60/Ø100 - A</b>	XILO LN - ERA F S - ERA F BS - SIL S
08515130	<b>Concentric flanged 120 mm stub pipe kit with flue inspection outlets Ø60/Ø100 - B</b>	XILO LN - ERA F S - ERA F BS - SIL S
08515190	<b>Concentric flanged 120 mm stub pipe kit Ø60/100 - B</b>	XILO - XILO D - XILO T - VELA XN - ALMA



code	description	boiler
08514180	<b>Concentric flanged 120 mm stub pipe kit Ø60/Ø100 with flue inspection outlets (condensation) - A</b>	FUTURIA L - FUTURIA N 15 - FUTURIA N 25 - FUTURIA N 35 FUTURIA PLUS
08516120	<b>Concentric flanged 120 mm stub pipe kit Ø80/Ø125 with flue inspection outlets (condensation)</b>	FUTURIA N 50

**Warning:** For models FUTURIA N 15 – FUTURIA N 25 – FUTURIA N 35, a flanged concentric connection “kit” is necessary “code 08516310”.



## Accessories for wall-hung and floor-standing gas boilers – gas water heaters



code	description	boiler/water heater
08509010	<b>Vertical concentric 1 Mt. Extension kit Ø60/Ø100 with flue inspection outlets* - A</b>	XILO LN - ERA F S - ERA F BS - SIL S
08515080	<b>Vertical concentric 1 Mt. Extension kit Ø60/Ø100 with flue inspection outlets - B</b>	XILO LN - ERA F S - ERA F BS - SIL S
08515180	<b>Vertical concentric 1 Mt. Extension kit Ø60/Ø100 - B</b>	XILO - XILO D - XILO T - VELA XN - ALMA



code	description	boiler/water heater
08509050	<b>concentric bend strip kit Ø60/Ø100* - A</b>	XILO LN - XILO - XILO D - XILO T - VELA XN - ALMA TREND - TREND L - ERA F S - ERA F BS - SIL S
08515120	<b>concentric bend strip kit Ø60/Ø100 - B</b>	XILO LN - XILO - XILO D - XILO T - VELA XN - ALMA ERA F S - ERA F BS - SIL S



code	description	boiler/water heater
08509040	<b>concentric extension strip kit Ø60/Ø100* - A</b>	XILO LN - XILO - XILO D - XILO T - VELA XN - ALMA ERA F S - ERA F BS - SIL S
08515110	<b>concentric extension strip kit Ø60/Ø100 - B</b>	XILO LN - XILO - XILO D - XILO T - VELA XN - ALMA ERA F S - ERA F BS - SIL S

### • Split accessories for flue suction and discharge Ø80



code	description	boiler/water heater
08506940	<b>Split Ø80 0.5 Mt. extension kit</b>	XILO-IN - XILO LN - XILO - XILO D - XILO T - VELA XN ALMA - ERA F S - ERA F BS - SIL S



code	description	boiler/water heater
08510050	<b>Split Ø80 0.5 Mt. extension kit (condensation)</b>	FUTURIA L - FUTURIA N - FUTURIA PLUS





code	description	boiler/water heater
08506210	<b>Split Ø80 1 Mt. extension kit</b>	INOVA L - XILO-IN - XILO LN - XILO - XILO D - XILO T - VELA XN ALMA - ERA F S - ERA F BS - SIL S





code	description	boiler/water heater
08510060	<b>Kit prolunga 1 mt. Ø 80 sdoppiata (condensa)</b>	FUTURIA L - FUTURIA N - FUTURIA PLUS


## Accessories for wall-hung and floor-standing gas boilers – gas water heaters


code	description	boiler/water heater	
08509840	<b>split Ø80 90° bend kit</b>	FUTURIA L - FUTURIA N - FUTURIA PLUS - XILO-IN - XILO LN XILO - XILO D - XILO T - VELA XN - ALMA - ERA F S - ERA F BS - SIL S	

code	description	boiler/water heater	
08506930	<b>split Ø80 45° bend kit</b>	FUTURIA L - FUTURIA N - FUTURIA PLUS - XILO-IN - XILO LN XILO - XILO D - XILO T - VELA XN - ALMA - ERA F S - ERA F BS - SIL S	

code	description	boiler/water heater	
08509460	<b>Inspection stub pipe kit Ø 80</b>	FUTURIA L - FUTURIA N - FUTURIA PLUS - XILO-IN - XILO LN XILO - XILO D - XILO T - VELA XN - ALMA - ERA F S - ERA F BS - SIL S	










code	description	boiler/water heater	
08508090	<b>tee reduction kit Ø 80/125</b>	FUTURIA L - FUTURIA N - FUTURIA PLUS - XILO-IN - XILO LN XILO - XILO D - XILO T - VELA XN - ALMA - ERA F S - ERA F BS - SIL S	

code	description	boiler/water heater	
08509660	<b>external washer kit Ø 80</b>	FUTURIA L - FUTURIA N - FUTURIA PLUS - XILO-IN - XILO LN XILO - XILO D - XILO T - VELA XN - ALMA - ERA F S - ERA F BS - SIL S	


code	description	boiler/water heater	
08512030	<b>internal washer kit Ø 80</b>	FUTURIA L - FUTURIA N - FUTURIA PLUS - XILO-IN - XILO LN XILO - XILO D - XILO T - VELA XN - ALMA - ERA F S - ERA F BS - SIL S	

## Accessories for wall-hung and floor-standing gas boilers – gas water heaters


### • Split accessories for flue suction and discharge


code	description	boiler	
08511360	<b>split extension kit 0,5 mt. Ø 60</b>	FUTURIA L - FUTURIA N - FUTURIA PLUS	
code	description	boiler	
08511350	<b>split extension kit 1 mt. Ø 60</b>	FUTURIA L - FUTURIA N - FUTURIA PLUS	
code	description	boiler	
08511280	<b>split bend kit 90° Ø 60</b>	FUTURIA L - FUTURIA N - FUTURIA PLUS	
code	description	boiler	
08511290	<b>split bend kit 45° Ø 60</b>	FUTURIA L - FUTURIA N - FUTURIA PLUS	
code	description	boiler	
08511380	<b>inspection stub pipe kit Ø 60</b>	FUTURIA L - FUTURIA N - FUTURIA PLUS	
code	description	boiler	
08511390	<b>vertical condensation collection stub pipe kit Ø 60</b>	FUTURIA L - FUTURIA N - FUTURIA PLUS	
code	description	boiler	
08511370	<b>horizontal condensation collection stub pipe kit Ø 60</b>	FUTURIA L - FUTURIA N - FUTURIA PLUS	
code	description	boiler	
08511420	<b>washer kit Ø 60</b>	FUTURIA L - FUTURIA N - FUTURIA PLUS	
code	description	boiler	
08511410	<b>air/flue terminal kit Ø 60</b>	FUTURIA L - FUTURIA N - FUTURIA PLUS	


## Accessories for wall-hung and floor-standing gas boilers – gas water heaters


code	description	boiler	
08511400	<b>extension connection joint kit F/F Ø 60</b>	FUTURIA L - FUTURIA N - FUTURIA PLUS	


### • External accessories for flue suction and discharge


code	description	boiler/water heater	
08509830	<b>External thermally insulated extension Kit 0,5 Mt Ø 80 internal Ø 125</b>	XILO-IN - XILO LN - XILO - XILO D - XILO T - VELA XN ALMA - ERA F S - ERA F BS - SIL S	

code	description	boiler/water heater	
08508370	<b>External thermally insulated extension Kit 1 mt. Ø 80 internal Ø 125</b>	XILO-IN - XILO LN - XILO - XILO D - XILO T - VELA XN ALMA - ERA F S - ERA F BS - SIL S	

code	description	boiler/water heater	
08508400	<b>condensation collection stub pipe kit Ø 80</b>	XILO-IN - XILO LN - XILO - XILO D - XILO T - VELA XN ALMA - ERA F S - ERA F BS - SIL S	


code	description	boiler/water heater	
08513590	<b>Roof-top discharge terminal kit</b>	XILO-IN - XILO LN - XILO - XILO D - XILO T - VELA XN - ALMA ERA F S - ERA F BS - SIL S	


code	description	boiler/water heater	
08508930	<b>split insulated 90° bend kit</b>	XILO-IN - XILO LN - XILO - XILO D - XILO T - VELA XN ALMA - ERA F S - ERA F BS - SIL S	


code	description	boiler/water heater	
08508950	<b>neck kit for thermally insulated pipe Ø 125</b>	XILO-IN - XILO LN - XILO - XILO D - XILO T - VELA XN ALMA - ERA F S - ERA F BS - SIL S	


## Accessories for wall-hung and floor-standing gas boilers – gas water heaters


### • Accessories for flue suction and discharge “BLACK LINE” Ø 80


code	description	boiler/water heater	
08509610	<b>extension kit 0,5 mt. Ø 80</b>	FUTURIA L - FUTURIA N - FUTURIA PLUS - XILO-IN - XILO LN XILO - XILO D - XILO T - VELA XN - ALMA - ERA F S - ERA F BS - SIL S	

code	description	boiler/water heater	
08509620	<b>extension kit 1 mt. Ø 80</b>	FUTURIA L - FUTURIA N - FUTURIA PLUS - XILO-IN - XILO LN - XILO XILO D - XILO T - VELA XN - ALMA - ERA F S - ERA F BS - SIL S	

code	description	boiler/water heater	
08509630	<b>extension kit 1,95 mt. Ø 80</b>	FUTURIA L - FUTURIA N - FUTURIA PLUS - XILO-IN - XILO LN - XILO XILO D - XILO T - VELA XN - ALMA - ERA F S - ERA F BS - SIL S	

code	description	boiler/water heater	
08509600	<b>condensation collection 90° bend kit</b>	FUTURIA L - FUTURIA N - FUTURIA PLUS - XILO-IN - XILO LN - XILO XILO D - XILO T - VELA XN - ALMA - ERA F S - ERA F BS - SIL S	

code	description	boiler/water heater	
08509640	<b>spacer strip kit Ø 80</b>	FUTURIA L - FUTURIA N - FUTURIA PLUS - XILO-IN - XILO LN - XILO XILO D - XILO T - VELA XN - ALMA - ERA F S - ERA F BS - SIL S	

code	description	boiler/water heater	
08509650	<b>strip kit Ø 80</b>	FUTURIA L - FUTURIA N - FUTURIA PLUS - XILO-IN - XILO LN - XILO XILO D - XILO T - VELA XN - ALMA - ERA F S - ERA F BS - SIL S	

## Accessories for wall-hung and floor-standing gas boilers – gas water heaters

code description boiler/water heater



08509660 **washer kit Ø 80** FUTURIA L - FUTURIA N - FUTURIA PLUS - XILO-IN - XILO LN  
XILO - XILO D - XILO T - VELA XN - ALMA - ERA F S - ERA F BS - SIL S

code description boiler/water heater



08509590 **air terminal kit Ø 80** FUTURIA L - FUTURIA N - FUTURIA PLUS - XILO-IN - XILO LN  
XILO - XILO D - XILO T - VELA XN - ALMA - ERA F S - ERA F BS - SIL S

code description boiler/water heater



08509670 **flue terminal kit Ø 80** FUTURIA L - FUTURIA N - FUTURIA PLUS - XILO-IN - XILO LN - XILO  
XILO D - XILO T - VELA XN - ALMA - ERA F S - ERA F BS - SIL S

code description boiler/water heater



08510040 **inspection plate kit Ø 80** FUTURIA L - FUTURIA N - FUTURIA PLUS - XILO-IN - XILO LN - XILO  
XILO D - XILO T - VELA XN - ALMA - ERA F S - ERA F BS - SIL S

code description boiler/water heater



08510030 **wall-fastened bracket kit Ø 80** FUTURIA L - FUTURIA N - FUTURIA PLUS - XILO-IN - XILO LN - XILO  
XILO D - XILO T - VELA XN - ALMA - ERA F S - ERA F BS - SIL S

### • Accessories for flue suction and discharge “BLACK LINE”

code description boiler/water heater



08512050 **extension kit 0,5 mt. Ø 60** FUTURIA L - FUTURIA N - FUTURIA PLUS

## Accessories for wall-hung and floor-standing gas boilers – gas water heaters



code	description	boiler
08512060	<b>extension kit 1 mt. Ø 60</b>	FUTURIA L - FUTURIA N - FUTURIA PLUS



code	description	boiler
08512070	<b>extension kit 1,95 mt. Ø 60</b>	FUTURIA L - FUTURIA N - FUTURIA PLUS



code	description	boiler
08512080	<b>condensation collection 90° bend kit Ø 60</b>	FUTURIA L - FUTURIA N - FUTURIA PLUS



code	description	boiler
08512100	<b>spacer strip kit Ø 60</b>	FUTURIA L - FUTURIA N - FUTURIA PLUS



code	description	boiler
08512090	<b>strip kit Ø 60</b>	FUTURIA L - FUTURIA N - FUTURIA PLUS



code	description	boiler
08511420	<b>washer kit Ø 60</b>	FUTURIA L - FUTURIA N - FUTURIA PLUS



code	description	boiler
08511410	<b>flue/air terminal kit Ø 60</b>	FUTURIA L - FUTURIA N - FUTURIA PLUS



code	description	boiler
08512110	<b>flue terminal kit Ø 60</b>	FUTURIA L - FUTURIA N - FUTURIA PLUS



code	description	boiler
08512120	<b>inspection plate kit Ø 60</b>	FUTURIA L - FUTURIA N - FUTURIA PLUS

## Accessories for wall-hung and floor-standing gas boilers – gas water heaters

### • Plastic accessories for flue suction and discharge

code	description	boiler
08514360	<b>wall discharge kit Ø60/Ø100</b>	FUTURIA L - FUTURIA N 15 - FUTURIA N 25 - FUTURIA N 35 FUTURIA PLUS



code	description	boiler
08514720	<b>roof-top discharge kit Ø60/Ø100</b>	FUTURIA L - FUTURIA N 15 - FUTURIA N 25 - FUTURIA N 35 FUTURIA PLUS



code	description	boiler
08514640	<b>split separate kit Ø80</b>	FUTURIA L - FUTURIA PLUS



code	description	boiler
08514650	<b>Kit sdoppiato separato Ø60</b>	FUTURIA L - FUTURIA PLUS



code	description	boiler
08514700	<b>berm discharge union kit</b>	FUTURIA L - FUTURIA N 15 - FUTURIA N 25 - FUTURIA N 35 FUTURIA PLUS



code	description	boiler
08514710	<b>lead propeller nut kit</b>	FUTURIA L - FUTURIA N 15 - FUTURIA N 25 - FUTURIA N 35 FUTURIA PLUS



code	description	boiler
08514480	<b>extension kit Ø60/Ø100 L = 0,5 mt</b>	FUTURIA L - FUTURIA N 15 - FUTURIA N 25 - FUTURIA N 35 FUTURIA PLUS



code	description	boiler
08514490	<b>extension kit Ø60/Ø100 L = 1 mt</b>	FUTURIA L - FUTURIA N 15 - FUTURIA N 25 - FUTURIA N 35 FUTURIA PLUS



code	description	boiler
08514500	<b>extension kit Ø60/Ø100 L = 2 mt</b>	FUTURIA L - FUTURIA N 15 - FUTURIA N 25 - FUTURIA N 35 FUTURIA PLUS














## Accessories for wall-hung and floor-standing gas boilers – gas water heaters

			
code	description	boiler	
08514560	<b>extension kit Ø80 L = 0,5 mt</b>	FUTURIA L - FUTURIA N - FUTURIA PLUS	
			
code	description	boiler	
08514570	<b>extension kit Ø80 L = 1 mt</b>	FUTURIA L - FUTURIA N - FUTURIA PLUS	
			
code	description	boiler	
08514580	<b>extension kit Ø80 L = 2 mt</b>	FUTURIA L - FUTURIA N - FUTURIA PLUS	
			
code	description	boiler	
08514530	<b>extension kit Ø60 L = 0,5 mt</b>	FUTURIA L - FUTURIA N - FUTURIA PLUS	
			
code	description	boiler	
08514540	<b>extension kit Ø60 L = 1 mt</b>	FUTURIA L - FUTURIA N - FUTURIA PLUS	
			
code	description	boiler	
08514550	<b>extension kit Ø60 L = 2 mt</b>	FUTURIA L - FUTURIA N - FUTURIA PLUS	
			
code	description	boiler	
08514520	<b>bend kit 90° Ø60/Ø100</b>	FUTURIA L - FUTURIA N 15 - FUTURIA N 25 - FUTURIA N 35 FUTURIA PLUS	
			
code	description	boiler	
08514510	<b>bend kit 45° Ø60/Ø100</b>	FUTURIA L - FUTURIA N 15 - FUTURIA N 25 - FUTURIA N 35 FUTURIA PLUS	
			
code	description	boiler	
08514450	<b>bend kit 90° Ø80</b>	FUTURIA L - FUTURIA N - FUTURIA PLUS	
			
code	description	boiler	
08514460	<b>bend kit 45° Ø80</b>	FUTURIA L - FUTURIA N - FUTURIA PLUS	

## Accessories for wall-hung and floor-standing gas boilers – gas water heaters

code	description	boiler	
08514420	<b>bend kit 90° Ø60</b>	FUTURIA L - FUTURIA N - FUTURIA PLUS	
code	description	boiler	
08514430	<b>bend kit 45° Ø60</b>	FUTURIA L - FUTURIA N - FUTURIA PLUS	
code	description	boiler	
08514670	<b>flanged adapter kit Ø60/Ø100</b>	FUTURIA L - FUTURIA N 15 - FUTURIA N 25 - FUTURIA N 35 FUTURIA PLUS	
code	description	boiler	
08514660	<b>reduction kit Ø60M/Ø80F</b>	FUTURIA L - FUTURIA N - FUTURIA PLUS	
code	description	boiler	
08514470	<b>bend supporting kit Ø80</b>	FUTURIA L - FUTURIA N - FUTURIA PLUS	
code	description	boiler	
08514440	<b>bend supporting kit Ø60</b>	FUTURIA L - FUTURIA N - FUTURIA PLUS	
code	description	boiler	
08515050	<b>gasket lubricating kit / 5 parts</b>	FUTURIA L - FUTURIA N - FUTURIA PLUS	
code	description	boiler	
08514410	<b>spacer kit Ø60</b>	FUTURIA L - FUTURIA N - FUTURIA PLUS	
code	description	boiler	
08514620	<b>spacer kit Ø80</b>	FUTURIA L - FUTURIA N - FUTURIA PLUS	

## Accessories for wall-hung and floor-standing gas boilers – gas water heaters



code	description	boiler
08514610	<b>flexible pipe flue covering kit Ø80</b>	FUTURIA L - FUTURIA N - FUTURIA PLUS



code	description	boiler
08514690	<b>flue covering kit Ø80</b>	FUTURIA L - FUTURIA N - FUTURIA PLUS



code	description	boiler
08514680	<b>flue covering kit Ø60</b>	FUTURIA L - FUTURIA N - FUTURIA PLUS



code	description	boiler
08514630	<b>flexible pipe inspection kit Ø80</b>	FUTURIA L - FUTURIA N - FUTURIA PLUS



code	description	boiler
08514600	<b>flexible pipe kit Ø80 L = 25 mt</b>	FUTURIA L - FUTURIA N - FUTURIA PLUS

### • Concentric accessories for flue suction and discharge for SAL water heaters

code	description	water heater
08513400	<b>horizontal concentric discharge kit</b>	SAL 80 S - SAL 120 S
08513410	<b>vertical concentric discharge kit</b>	SAL 80 S - SAL 120 S
08513430	<b>horizontal concentric discharge kit</b>	SAL 150 S - SAL 180 S - SAL 220 S - SAL 300 S - SAL 400 S
08513420	<b>vertical concentric discharge kit</b>	SAL 150 S - SAL 180 S - SAL 220 S - SAL 300 S - SAL 400 S
08513540	<b>concentric extension kit 0,5 m Ø38/60</b>	SAL 80 S - SAL 120 S
08513550	<b>concentric extension kit 1 m Ø38/60</b>	SAL 80 S - SAL 120 S
08513450	<b>concentric extension kit 0,5 m Ø60/100</b>	SAL 150 S - SAL 180 S - SAL 220 S - SAL 300 S - SAL 400 S
08513460	<b>concentric extension kit 1 m Ø60/100</b>	SAL 150 S - SAL 180 S - SAL 220 S - SAL 300 S - SAL 400 S
08513560	<b>concentric 90° bend kit Ø38/60</b>	SAL 80 S - SAL 120 S
08513570	<b>concentric 90° bend kit Ø38/60</b>	SAL 80 S - SAL 120 S
08513470	<b>concentric 90° bend kit Ø60/100</b>	SAL 150 S - SAL 180 S - SAL 220 S - SAL 300 S - SAL 400 S
08513480	<b>concentric 90° bend kit Ø60/100</b>	SAL 150 S - SAL 180 S - SAL 220 S - SAL 300 S - SAL 400 S

## Accessories for wall-hung and floor-standing gas boilers – gas water heaters

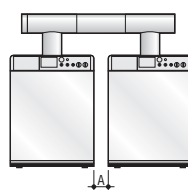
### • Split accessories for flue suction and discharge for SAL water heaters

code	description	water heater
08513440	split discharge kit Ø80	SAL 150 S - SAL 180 S - SAL 220 S - SAL 300 S - SAL 400 S
08513510	split extension kit 1 m Ø80	SAL 150 S - SAL 180 S - SAL 220 S - SAL 300 S - SAL 400 S
08513520	split extension kit 0,5 m Ø80	SAL 150 S - SAL 180 S - SAL 220 S - SAL 300 S - SAL 400 S
08513530	split extension kit 0,25 m Ø80	SAL 150 S - SAL 180 S - SAL 220 S - SAL 300 S - SAL 400 S
08513500	split bend kit 90° Ø80	SAL 150 S - SAL 180 S - SAL 220 S - SAL 300 S - SAL 400 S
08513490	split bend kit 45° Ø80	SAL 150 S - SAL 180 S - SAL 220 S - SAL 300 S - SAL 400 S

### • Flue manifold kit CGL 2

#### Technical description

- AISI 304 stainless steel flue manifolds
- Installation can be performed at a distance A ranging from 0 to 100 mm.

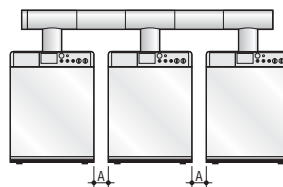


code	description	water heater
08515820	flue manifold kit CGL 2/4	GASTER N 51 AW
08515830	flue manifold kit CGL 2/5	GASTER N 68 AW
08515840	flue manifold kit CGL 2/6	GASTER N 85 AW
08515850	flue manifold kit CGL 2/7	GASTER N 102 AW
08515860	flue manifold kit CGL 2/8	GASTER N 119 AW
08515870	flue manifold kit CGL 2/9	GASTER N 136 AW
08515880	flue manifold kit CGL 2/10	GASTER N 153 AW
08515890	flue manifold kit CGL 2/11	GASTER N 170 AW
08515900	flue manifold kit CGL 2/12	GASTER N 187 AW
08515910	flue manifold kit CGL 2/14	GASTER N 221 AW
08515920	flue manifold kit CGL 2/16	GASTER N 255 AW
08515930	flue manifold kit CGL 2/18	GASTER N 289 AW

### • Flue manifold kit CGL 3

#### Technical description

- AISI 304 stainless steel flue manifolds
- Installation can be performed at a distance A ranging from 0 to 100 mm.



code	description	water heater
08515940	flue manifold kit CGL 3/4	GASTER N 51 AW
08515950	flue manifold kit CGL 3/5	GASTER N 68 AW
08515960	flue manifold kit CGL 3/6	GASTER N 85 AW
08515970	flue manifold kit CGL 3/7	GASTER N 102 AW
08515980	flue manifold kit CGL 3/8	GASTER N 119 AW
08515990	flue manifold kit CGL 3/9	GASTER N 136 AW
08516000	flue manifold kit CGL 3/10	GASTER N 153 AW
08516010	flue manifold kit CGL 3/11	GASTER N 170 AW
08516020	flue manifold kit CGL 3/12	GASTER N 187 AW
08516030	flue manifold kit CGL 3/14	GASTER N 221 AW
08516040	flue manifold kit CGL 3/16	GASTER N 255 AW
08516050	flue manifold kit CGL 3/18	GASTER N 289 AW

## Accessories for wall-hung and floor-standing gas boilers – gas water heaters

### • “BASE” water connection kit

#### Technical description

- 5 nichel-plated copper pipes
- 1 gas cock Ø \_ ”
- 1 gas cock Ø \_ ”
- Nipples and various unions



code	description	boiler
08515640	“base” water connection kit	FUTURIA L MT *
08514190	“base” water connection kit	FUTURIA L MC *
08516130	“base” water connection kit	FUTURIA L MT - FUTURIA N 15 MT - FUTURIA N 25 MT - FUTURIA N 35 MT
08516140	“base” water connection kit	FUTURIA L MC - FUTURIA N MC
08514200	“base” water connection kit	FUTURIA L MB - ALMA
08511940	“base” water connection kit	XILO LN - XILO - XILO T - XILO D
08516360	“base” water connection kit	VELA XN

\* clearance sale

#### Technical description

- 5 nichel-plated copper pipes
- 1 gas cock Ø 3/4”
- 1 gas cock Ø 3/4”
- Nipples and various unions



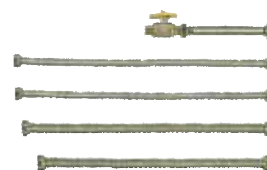
code	description	boiler
08510080	comfort cock water connection kit	FUTURIA PLUS

## Accessories for wall-hung and floor-standing gas boilers – gas water heaters

### • “universal” water connection kit

Technical description

- 5 stainless steel pipes
- 1 gas cock Ø 1/2”
- Nipples and various unions



code	description	boiler
08512240	<b>stainless steel universal water connection kit</b>	FUTURIA L - FUTURIA PLUS - ALMA - VELA XN

### • Heating module coupling kit

code description boiler

08514070	<b>Kit accoppiamento Fumo/idraulico “riscaldamento”</b>	REPLY C
08514080	<b>“sanitary” water coupling kit</b>	REPLY C

### • Installation template

code description boiler

08516530	<b>connection template</b>	FUTURIA N 15 MT - FUTURIA N 25 MT
08516540	<b>connection template</b>	FUTURIA N 35 MT
08516550	<b>connection template</b>	FUTURIA N 25 MC - FUTURIA N 35 MC
08515650	<b>connection template</b>	FUTURIA L MT
08513910	<b>connection template</b>	FUTURIA L MC
08513920	<b>connection template</b>	FUTURIA L MB - ALMA
08511880	<b>connection template</b>	XILO LN - XILO - XILO D
08512180	<b>connection template</b>	XILO T 20
08512890	<b>connection template</b>	XILO T 24
08512000	<b>connection template</b>	VELA XN



### • By-pass kit

Technical description

In the event of total closure of zone thermostatic valves or of thermostatic controls of heating units, it assures boiler heating system circulation.

- By-pass valve – Union pipes

code description boiler

08511180	<b>Kit by-pass</b>	XILO - XILO T
----------	--------------------	---------------



## Accessories for wall-hung and floor-standing gas boilers – gas water heaters

### • Disconnecter kit

Technical description

It prevents heating system water from getting in contact with the water supply system water.

- disconnecter – union pipes



code	description	boiler
08511260	<b>Disconnecter kit</b>	FUTURIA L - XILO - XILO T
08515620	<b>Disconnecter kit</b>	XILO-IN
08510200	<b>Disconnecter kit</b>	FUTURIA PLUS
08515610	<b>Disconnecter kit</b>	ALMA

### • Room adjustment systems

– CLASS PIÙ Cronotermostat **1**

– remote kit **4**



code	description	boiler
00087520	<b>cronotermostato CLASS PIÙ - 1</b>	Tutti i modelli
08515630	<b>time and date schedule kit</b>	ALMA
08512290	<b>remote kit - 4</b>	ALMA
08516150	<b>remote kit</b>	FUTURIA N

### • Electrical connection kit



code	description	boiler
08514880	<b>boiler electrical connection kit</b>	FUTURIA L MT

## Accessories for wall-hung and floor-standing gas boilers – gas water heaters

### • Boiler management kit

code	description	boiler
08516390	<b>Boiler management kit</b>	FUTURIA N 15 MT - FUTURIA N 25 MT
08516400	<b>Boiler management kit</b>	FUTURIA N 35 MT
08516160	<b>Boiler management kit</b>	FUTURIA N 50 MT

### • Probe kit



code	description	boiler/heating module
08511210	<b>Outdoor sensor</b>	FUTURIA N - REPLY N - BOX ZONE MIX
08510020	<b>Outdoor sensor</b>	FUTURIA L - FUTURIA PLUS
08510000	<b>boiler probe kit</b>	XILO T

### • Management control panel kit



code	description	boiler/heating module
08516170	<b>Management control panel kit</b>	FUTURIA N - REPLY N

### • Kit sequenziatore



code	description	boiler/heating module
08516180	<b>Sequencer kit</b>	All kind of boiler

### • Water hammering preventing tank kit

Technical description

- 0.16 Lt. expansion tank – Safety valve Ø \_ - Expansion tank pipe



code	description	water heater
08512840	<b>Hammering preventing kit</b>	SIL - SIL S

### • DPO anti-lime system

technical description

- DPO \_” doser type B, union pipes and connections



code	description	boiler/water heater
08902550	<b>anti-lime DPO kit</b>	XILO-IN - XILO LN - XILO - XILO D - XILO T - ALMA - VELA XN - SIL



## Accessories for wall-hung and floor-standing gas boilers – gas water heaters

- **Conversion from natural gas to G.P.L.**



code	description	boiler/water heater
08514220	Natural gas to LPG conversion kit	FUTURIA L 24
08514230	Natural gas to LPG conversion kit	FUTURIA L 28
08516190	Natural gas to LPG conversion kit	FUTURIA N 15
08516200	Natural gas to LPG conversion kit	FUTURIA N 25
08516210	Natural gas to LPG conversion kit	FUTURIA N 35
08516220	Natural gas to LPG conversion kit	FUTURIA N 50
08513940	Natural gas to LPG conversion kit	XILO LN
08511160	Natural gas to LPG conversion kit	XILO - XILO-IN
08511810	Natural gas to LPG conversion kit	XILO D 20 - XILO T 20 - ALMA 24 MB/MBS - VELA XN
08511820	Natural gas to LPG conversion kit	XILO D 24 MC - XILO T 24 M
08511930	Natural gas to LPG conversion kit	XILO D 24 MCS - XILO T 24 MS
08507110	Natural gas to LPG conversion kit	ALMA 28 MB/MBS - TREND 28
F39024770	Natural gas to LPG conversion kit	ERA F 23
F39024780	Natural gas to LPG conversion kit	ERA F 32 - ERA F 32 PK
F39024790	Natural gas to LPG conversion kit	ERA F 45
F39024800	Natural gas to LPG conversion kit	ERA F 56
08508520	Natural gas to LPG conversion kit	GASTER N 51 A W
08508530	Natural gas to LPG conversion kit	GASTER N 68 A W
08508540	Natural gas to LPG conversion kit	GASTER N 85 A W
08508550	Natural gas to LPG conversion kit	GASTER N 102 A W
08508560	Natural gas to LPG conversion kit	GASTER N 119 A W
08508570	Natural gas to LPG conversion kit	GASTER N 136 A W
08508580	Natural gas to LPG conversion kit	GASTER N 153 A W
08508590	Natural gas to LPG conversion kit	GASTER N 170 A W
08508600	Natural gas to LPG conversion kit	GASTER N 187 A W
08516270	Natural gas to LPG conversion kit	GASTER N 221 A W
08516280	Natural gas to LPG conversion kit	GASTER N 255 A W
08516290	Natural gas to LPG conversion kit	GASTER N 289 A W
08512930	Natural gas to LPG conversion kit	SIL 14 - SIL 14 S

• **Conversion from G.P.L. to natural gas**



code	description	boiler/water heater
08514240	<b>from LPG to natural gas conversion kit</b>	FUTURIA L 24
08514250	<b>from LPG to natural gas conversion kit</b>	FUTURIA L 28
08516230	<b>from LPG to natural gas conversion kit</b>	FUTURIA N 15
08516240	<b>from LPG to natural gas conversion kit</b>	FUTURIA N 25
08516250	<b>from LPG to natural gas conversion kit</b>	FUTURIA N 35
08516260	<b>from LPG to natural gas conversion kit</b>	FUTURIA N 50
08515550	<b>from LPG to natural gas conversion kit</b>	XILO (ugelli Ø 1,2) - XILO-IN
08513950	<b>from LPG to natural gas conversion kit</b>	XILO LN
08511790	<b>from LPG to natural gas conversion kit</b>	XILO (ugelli Ø 1,17)
08511840	<b>from LPG to natural gas conversion kit</b>	XILO D - XILO T - ALMA - VELA XN - TREND - TREND L
08512940	<b>from LPG to natural gas conversion kit</b>	SIL 14 - SIL 14 S

## Accessories for gas and light oil boilers

### • External air intake kit

Technical description

- rigid pipe Ø60 x 400 mm – flexible pipe Ø60 x 3 mm – suction terminal
- strip – 90° Ø60 aluminium pipe



code	description	burner/boiler
------	-------------	---------------

08025460	<b>external air intake kit</b>	MINIA CI - MINIA R
----------	--------------------------------	--------------------

### • Recirculation circulator kit

Technical description

- 1 circulator – 2 recirculation pipes - gaskets



code	description	boiler
------	-------------	--------

08512280	<b>recirculation circulator kit</b>	MINIA CB
----------	-------------------------------------	----------

### • Remote external probe kit

code	description	boiler
------	-------------	--------



08511210	External probe kit	MINIA CB - BOX ZONE MIX
----------	--------------------	-------------------------

### • Remote kit

code	description	boiler
------	-------------	--------



08512290	Remote kit	MINIA CB
----------	------------	----------

### • Zone system kit

Technical description

- 1 circulator – 1 boiler-circulator stub pipe – 1 heating delivery pipe - Gaskets



code	description	boiler
------	-------------	--------

08512250	<b>Zone system kit</b>	MINIA CB
----------	------------------------	----------

## Accessories for gas and light oil boilers and radiators

### • Zone management card kit



code	description	boiler
08512260	<b>Zone management card kit</b>	MINIA CB

### • Mixed zone kit

Technical description

- 1 circulator – 1 boiler-circulator stub pipe – 1 valve delivery-pipe – 1 circulator-valve pipe
- 1 mixed zone distributor – 1 three-way motor valve – 1 delivery probe



code	description	boiler
08512270	<b>Mix zone kit</b>	MINIA CB

### • Water connection kit with BITHERM boiler



code	description	boiler
08510830	<b>Water connection kit</b>	NEINOX - NEINOX BT

### • Kit sequenziatore



code	description	boiler
08516180	<b>Sequencer kit</b>	All kind of boilers

## Air heaters accessories

### • Horizontal discharge kit

Technical description

- discharge duct L= 1Mt., union strip with external gasket and terminal



code description air heater

08711370	Horizontal discharge kit Ø 80	AIR 21A+ 30A - AIR 30AC
08711380	Horizontal discharge kit Ø 100	AIR 43A+ 73A - AIR 43AC+ 73AC

### • Air suction kit

Technical description

- suction duct L=0.5 Mt. with external terminal, flexible pipe L=3 Mt. 2 hose clamps, plug for burning air drawing.



code description air heater

08711390	Air suction kit Ø 140	AIR 21A+ 73A - AIR 73AC
----------	-----------------------	-------------------------

### • Duct and bend kits

code description air heater

08506210	condensation discharge bend kit Ø 80 L=1 mt	AIR 21A+ 30A - AIR 30AC
08711410	condensation discharge bend kit Ø 100 L=1 mt	AIR 43A+ 73A - AIR 43AC+ 73AC
08509840	condensation discharge bend kit 90° Ø 80	AIR 21A+ 30A - AIR 30AC
08711430	condensation discharge bend kit 90° Ø 100	AIR 43A+ 73A - AIR 43AC+ 73AC
08711440	condensation discharge bend kit 90° Ø 80	AIR 21A+ 30A - AIR 30AC
08711450	condensation discharge bend kit 90° Ø 100	AIR 43A+ 73A - AIR 43AC+ 73AC

### • Roof-top discharge terminal Kit

Technical description

- discharge duct L= 1Mt., union strip with external gasket and terminal, plastic material seal cap complete with gasket and washer strip.



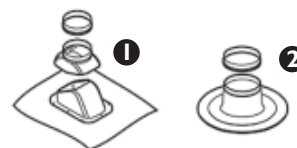
code description air heater

08711460	Roof-top discharge terminal Kit Ø 80	AIR 21A+ 30A - AIR 30AC
08711470	Roof-top discharge terminal Kit Ø 100	AIR 43A+ 73A - AIR 43AC+ 73AC

### • Lead propeller nut Kit

code description air heater

08507600	Kit raccordo scarico a terrazzo ❶	AIR 21A+ 73A - AIR 30AC+ 73AC
08508100	berm discharge union kit ❷	AIR 21A+ 73A - AIR 30AC+ 73AC



### • Grid Kit with adjustable vertical fins

code description air heater

08711480	vertical grid kit	AIR 21A - AIR 26A - AIR 30A
08711490	vertical grid kit	AIR 43A - AIR 49A
08711500	vertical grid kit	AIR 73A



### • Remote control panel with 10 Mt. cable



code	description	air heater
08711510	remote control panel	AIR 21A+ 73A - AIR 30AC+ 73AC

### • Kit mensola



code	description	air heater
08711520	Bracket kit	AIR 21A+ 73A - AIR 30ACE+ 73ACE - IDRO LAMBY
08711540	Bracket kit	AIR 30AC+ 73AC

### • Kit testata



code	description	air heater
08707290	Header kit	LGE 25 - LGE 35
08707300	Header kit	LGE 51 - LGE 65
08707280	Header kit	LGE 80 - LGE 100
08707310	Header kit	LGE 125 - LGE 150
08707320	Header kit	LGE 175 - LGE 200
08707330	Header kit	LGE 250 - LGE 300
08707340	Header kit	LGE 375
08707350	Header kit	LGE 425 - LGE 500
08707360	Header kit	LGE 600
08707370	Header kit	LGE 750
08707380	Header kit	LGE 900

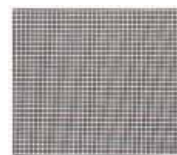
### • Case filter kit



code	description	air heater
08707490	Case filter kit	LGE 25 - LGE 35 - LGE 25 OUT - LGE 35 OUT
08707500	Case filter kit	LGE 51 - LGE 65 - LGE 51 OUT - LGE 65 OUT
08707510	Case filter kit	LGE 80 - LGE 100 - LGE 80 OUT - LGE 100 OUT
08707520	Case filter kit	LGE 125 - LGE 150 - LGE 125 OUT - LGE 150 OUT
08707530	Case filter kit	LGE 175 - LGE 200 - LGE 175 OUT - LGE 200 OUT
08707540	Case filter kit	LGE 250 - LGE 300 - LGE 250 OUT - LGE 300 OUT
08707550	Case filter kit	LGE 375 - LGE 375 OUT
08707560	Case filter kit	LGE 425 - LGE 500 - LGE 425 OUT - LGE 500 OUT
08707570	Case filter kit	LGE 600 - LGE 600 OUT
08707580	Case filter kit	LGE 750 - LGE 750 OUT
08707590	Case filter kit	LGE 900 - LGE 900 OUT

## Accessories for air heaters and regulation systems

### • Grid kit



code	description	air heater
08707390	<b>Grid kit</b>	LGE 25 - LGE 35 - LGE 25 OUT - LGE 35 OUT
08707400	<b>Grid kit</b>	LGE 51 - LGE 65 - LGE 51 OUT - LGE 65 OUT
08707410	<b>Grid kit</b>	LGE 80 - LGE 100 - LGE 80 OUT - LGE 100 OUT
08708460	<b>Grid kit</b>	LGE 125 - LGE 150 - LGE 125 OUT - LGE 150 OUT
08708470	<b>Grid kit</b>	LGE 175 - LGE 200 - LGE 175 OUT - LGE 200 OUT
08708480	<b>Grid kit</b>	LGE 250 - LGE 300 - LGE 250 OUT - LGE 300 OUT
08708490	<b>Grid kit</b>	LGE 375 - LGE 375 OUT
08708500	<b>Grid kit</b>	LGE 425 - LGE 500 - LGE 425 OUT - LGE 500 OUT
08708510	<b>Grid kit</b>	LGE 600 - LGE 750 - LGE 600 OUT - LGE 750 OUT
08708520	<b>Grid kit</b>	LGE 900 - LGE 900 OUT

### • Probe kit



code	description	box zone
08511210	<b>external probe kit</b>	BOX ZONE MIX

### • Plugs, reductions, nipples, gaskets and bracket kit

code	description	Radiator
08300000	<b>package kit of 10 1" right-hand white plugs</b>	all types
08300010	<b>package kit of 10 1" left-hand white plugs</b>	all types
08300110	<b>package kit of 10 1" to 1/8" right-hand white reductions</b>	all types
08300120	<b>package kit of 10 1" to 1/8" left-hand white reductions</b>	all types
08300020	<b>package kit of 10 1" to 1/4" right-hand nipples</b>	all types
08300030	<b>package kit of 10 1" to 1/4" right-hand white reductions</b>	all types
08300040	<b>package kit of 10 1" to 3/8" right-hand nipples</b>	all types
08300050	<b>package kit of 10 1" to 3/8" right-hand white reductions</b>	all types
08300060	<b>package kit of 10 1" to 1/2" right-hand nipples</b>	all types
08300070	<b>package kit of 10 1" to 1/2" right-hand white reductions</b>	all types
08300080	<b>package kit of 10 1" to 3/4" right-hand nipples</b>	all types
08300090	<b>package kit of 10 1" to 3/4" right-hand white reductions</b>	all types
08300100	<b>package kit of 10 1" to 3/4" right-hand nipples</b>	all types
F19999902	<b>Kit conf. 100 guarnizioni da 1"</b>	all types
F19999905	<b>package kit of 10 wall-fastened</b>	all types
F19999953	<b>colour kit</b>	all types

### • Pulse shaper kit for softener volumetric regeneration

#### Technical description

- Mod. 3/4": pulse shaper meter with brass turbine shell fitted with pulse shaper probe dry dial, roll direct reading for cold water.
- Mod. 1 1/4" - 1 1/2" - 2" - 3": pulse shaper meters fitted with pulses emitter head, litre-counter, pulse shaper probe.

Code	Description	Softener
08902530	<b>Pulse shaper kit (k 0,4 - 3/4")</b>	EAU 8 E BIOS - EAU 15 E BIOS - EAU 22 E BIOS
08902440	<b>Pulse shaper kit (k 0,4 - 1 1/4")</b>	DOUBLE 35 E + DOUBLE 65 E
08902080	<b>Pulse shaper kit (k 0,1 - 1 1/2")</b>	DOUBLE 85 E - DOUBLE 125 E - PLUS 165 E - PLUS 215 E
08902090	<b>Pulse shaper kit (k 0,1 - 2")</b>	PLUS 265 E + PLUS 425 E
08902260	<b>Pulse shaper kit (k 0,1 - 3")</b>	PLUS 550 E

### • Disinfecting Kit

#### Technical description

- This apparatus is intended for the protection against build up of bacteria which may arise from the softener cationic resins. Highly advanced electrolytic automatic operation for the production of chlorine. The apparatus manufacturing complies to M.D. No. 443 of the 21/12/90.

Code	Description	Softener
08902420	<b>CL 2 - KK 100</b>	all up to 125 Lt. of resin (SWEET excluded)
08902580	<b>CL 2 - SWEET</b>	SWEET 8-15-22 M

### • Chemical products

#### – All the chemical products reported below are supplied by our Spare Parts Service

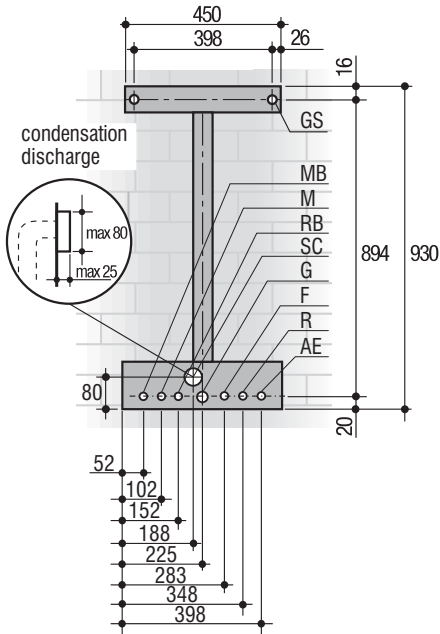
- **Acquasil 20/40:** anti-scale fluid for alimentary use, corrosion proofing for pumps of the PDPH 15-40 type.
- **LPC Polifosf A:** powdered – for softened water – alimentary use.
- **LPC-A-010:** fluid – for softened water – alimentary use.
- **LPC-T-01 I:** fluid – for raw water – heating system use
- **LPC Polifosf B:** powdered - for raw water – alimentary use.
- **LPC-A-020:** fluid - for raw water – alimentary use.
- **LPC-T-02 I:** fluid - for raw water – cooling tower use.
- **LPC-A-030:** fluid – for softened water – alimentary use – boiler conditioning system.
- **LPC-A-03 I:** fluid - for softened water – alimentary use – condensation steam line.
- **LPC-T-040:** algaecide fluid.
- **LPC-T-050:** powdered for boiler cleaning, exchangers, etc.

Code	Description	Package in kg
<b>Corrosion inhibitors /anti-scale substances</b>		
04915010	Acquasil 20/40	1
<b>Corrosion inhibitors</b>		
04905850	LPC Polifosf A	1
04906890	LPC-A-010	30
04906350	LPC-T-011	24
<b>Anti-scale substances</b>		
04902800	LPC Polifosf B	1
04908260	LPC-A-020	26
04903090	LPC-T-021	26
<b>Water conditioning system for steam boiler max 12 bar</b>		
04902970	LPC-A-030	30
04902980	LPC-A-031	24
<b>Microbiocide</b>		
04907620	LPC-T-040	24
<b>Scales remover</b>		
04903080	LPC-T-050	25



# Fastening template

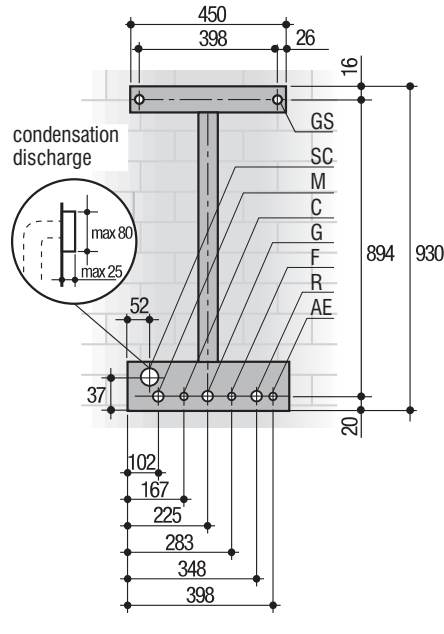
## Futura L MT



G	Gas Ø 3/4" (boiler)	Ø 1/2" (connections)
F	boiler feeding water	Ø 1/2"
AE	power supply	
M	system delivery	Ø 3/4"
R	system return	Ø 3/4"
MB	boiler delivery	Ø 3/4"
RB	boiler return Ø	3/4"
GS	supporting hooks	Ø 10 mm.
SC	condensation discharge	Ø 80 mm.

**N.B. provide with female connections**

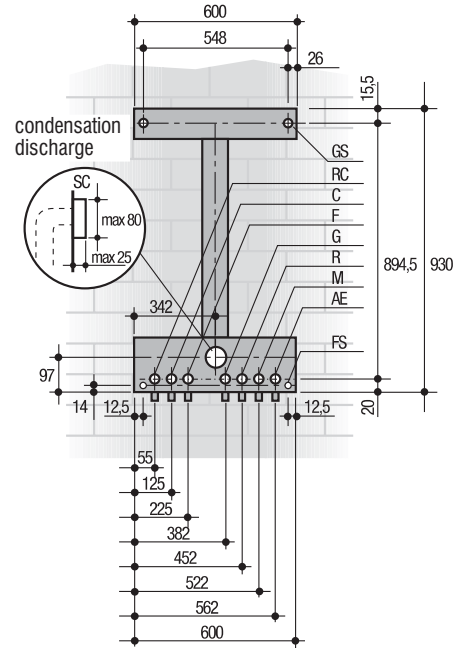
## Futura L MC



C	hot water	Ø 1/2"
G	Gas Ø 3/4" (boiler)	Ø 1/2" (connections)
F	Boiler feeding water	Ø 1/2"
AE	Power supply	
M	system delivery	Ø 3/4"
R	system return Ø	3/4"
GS	supporting hooks	Ø 10 mm.
SC	condensation discharge	Ø 80 mm.

**N.B. provide with female connections**

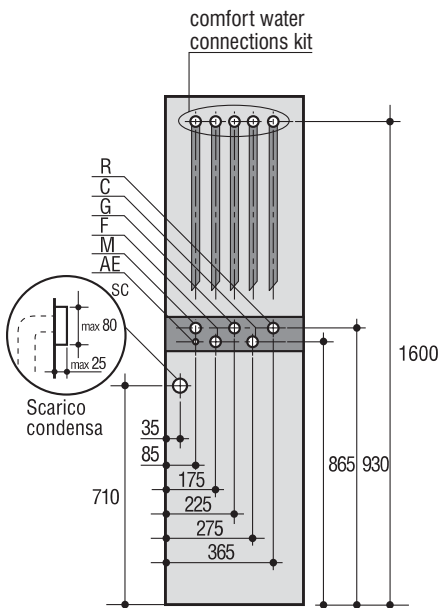
## Futura L MB - Alma



C	hot water	Ø 1/2"
G	Gas Ø 3/4" (boiler)	Ø 1/2" (connections)
F	Boiler feeding water	Ø 1/2"
AE	Power supply	
M	system delivery	Ø 3/4"
R	system return	Ø 3/4"
RC	water tank recirculation	Ø 1/2"
GS	supporting hooks	Ø 10 mm.
SC	condensation discharge	Ø 80 mm.
FS	additional supporting holes	Ø 10 mm.

**N.B. provide with female connections**

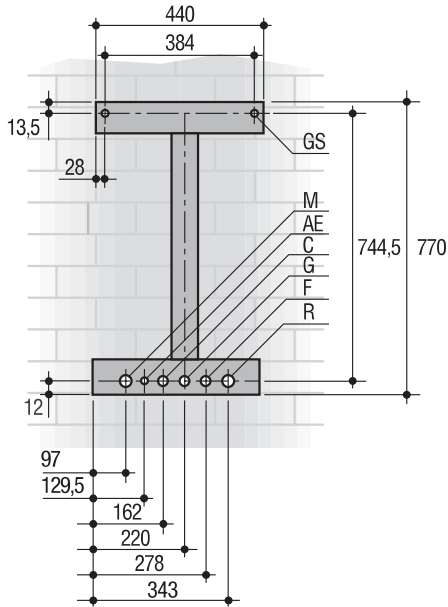
## Futura Plus



C	Hot water	Ø 1/2"
G	Gas	Ø 3/4"
F	boiler feeding water	Ø 1/2"
AE	power supply	
M	system delivery	Ø 3/4"
R	system return	Ø 3/4"
SC	condensation discharge	Ø 80 mm.

**N.B. provide with female connections**

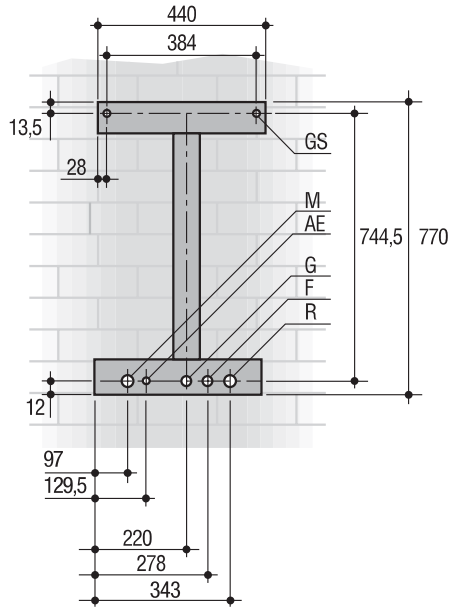
## Xilo LN - Xilo - Xilo D



C	hot water	Ø 1/2"
G	Gas Ø 3/4" (boiler) Ø 1/2" (connections)	
F	boiler feeding water	Ø 1/2"
AE	power supply	
M	system delivery	Ø 3/4"
R	system return	Ø 3/4"
GS	supporting hooks	Ø 10 mm.

**N.B. provide with female connections**

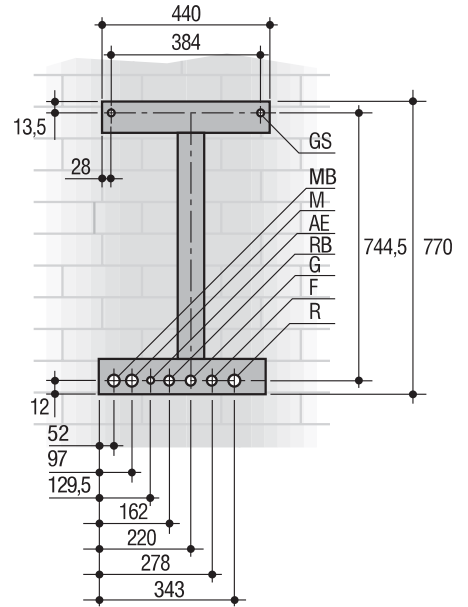
## Xilo T 20



G	Gas Ø 3/4" (boiler) Ø 1/2" (connections)	
F	boiler feeding water	Ø 1/2"
AE	power supply	
M	system delivery	Ø 3/4"
R	system return	Ø 3/4"
GS	supporting hooks	Ø 10 mm.

**N.B. provide with female connections**

## Xilo T 24

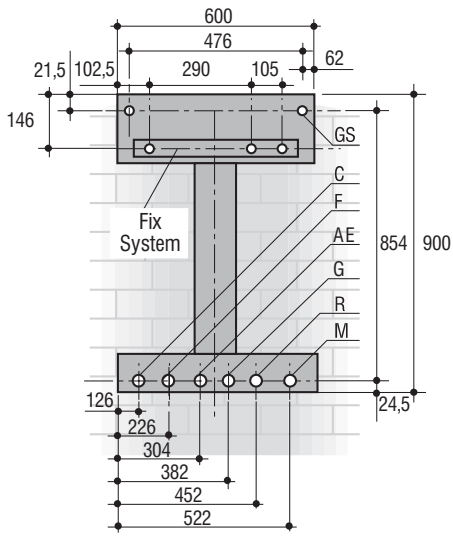


G	Gas Ø 3/4" (boiler) Ø 1/2" (connections)	
F	boiler feeding water	Ø 1/2"
AE	power supply	
M	system delivery	Ø 3/4"
R	system return	Ø 3/4"
MB	boiler delivery	Ø 3/4"
RB	boiler return	Ø 3/4"
GS	supporting hooks	Ø 10 mm.

**N.B. provide with female connections**

# Fastening templates

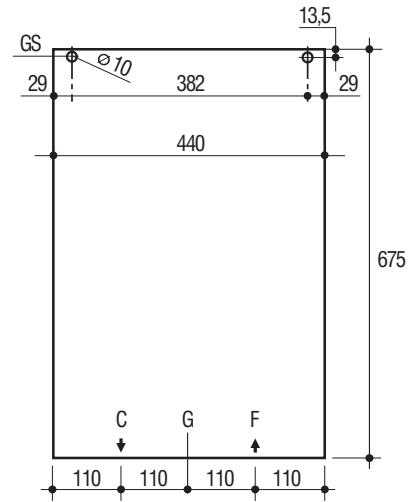
## Vela XN



C	hot water	Ø 1/2"
G	Gas Ø 3/4" (boiler) Ø 1/2" (connections)	
F	boiler feeding water	Ø 1/2"
AE	power supply	
M	system delivery	Ø 3/4"
R	system return	Ø 3/4"
GS	supporting hooks	Ø 10 mm.

**N.B. provide with female connections**

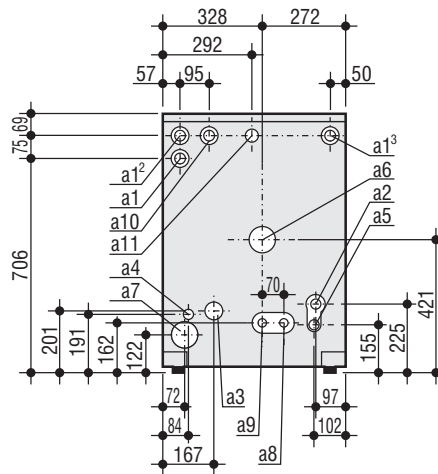
## Sil



C	hot water	Ø 1/2"
G	Gas	
F	boiler feeding water	Ø 1/2"
GS	supporting hooks	Ø 10 mm.

**N.B. provide with female connections**

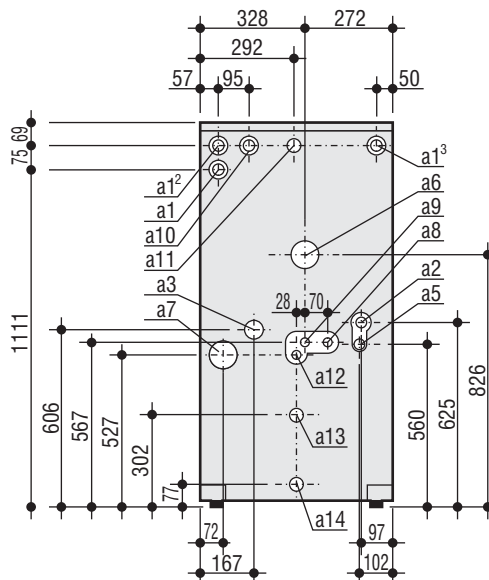
## Silver S



**Boiler back**

a1	system delivery	Ø 1"
a2	Average temperature system return	Ø 1"
a3	low temperature system return	Ø 1"
a4	cold water inlet	Ø 1/2"
a5	gas connection	Ø 1/2"
a6	flue exhaust	Ø 80"
a7	air inlet	Ø 80"
a8	boiler discharge	Ø 1/2"
a9	condensation discharge	Ø 3/4"
a10	electric cable outlet	Ø 40 mm.
a11	safety valve bleed	Ø 14 mm.
a12 and a13	system zone delivery pipes	Ø 1" (optional)

## Silver BS



**Boiler back**

a1	system delivery	Ø 1"	a9	condensation discharge	Ø 3/4"
a2	average temperature system return	Ø 1"	a10	electric cable outlet	Ø 40 mm.
a3	low temperature system return	Ø 1"	a11	safety valve bleed	Ø 14 mm.
a4	cold water inlet	Ø 1/2"	a12	boiler delivery	Ø 3/4"
a5	gas connection	Ø 1/2"	a13	boiler recirculation	Ø 3/4"
a6	flue exhaust	Ø 80"	a14	boiler return	Ø 3/4"
a7	air inlet	Ø 80"			
a8	boiler discharge	Ø 1/2"	a12 and a13	system zone delivery pipes	Ø 1" (optional)





